



FEDERATION INTERNATIONALE DE L'AUTOMOBILE

Homologation N°

SH.085.21-T-6

Date

22.11.2021

**FICHE DE PRESENTATION DES HARNAIS DE SECURITE (NORME FIA 8853-2016)
PRESENTATION FORM FOR SAFETY HARNESSSES (FIA STANDARD 8853-2016)**

1. GENERALITES / GENERAL

101. CONSTRUCTEUR / MANUFACTURER

SPARCO SPA

- a) Adresse
Address **VIA LEINI 524,10088 VOLPIANO (TO)**
- b) Téléphone
Phone **+39 011 2240 911**
- c) E-mail
E-mail **INFO@SPARCO.IT**

102. PHOTO DU HARNAIS COMPLET / PICTURE OF THE COMPLETE HARNESS



103. MODELE DU HARNAIS / HARNESS MODEL

- a) Modèle
Model **04835H**

2. DETAILS DU HARNAIS / DETAILS OF HARNESS

201. SANGLES / STRAPS

	Matériau Material	Largeur Width (mm)	Position Position
201.01 MH00080	100% Polyester	47±1	Upper shoulder straps
201.02 MH20043	100% Polyester	50±1.5	Lower shoulder straps
201.03 MH00080	100% Polyester	47±1	Outer pelvic straps
201.04 MH20043	100% Polyester	50±1.5	Inner pelvic straps
201.05 MH20043	100% Polyester	50±1.5	Upper crotch straps
201.06 MH00080	100% Polyester	47±1	Lower crotch straps

202. VUES DES PIÈCES DE FIXATION/ ATTACHMENTS VIEWS

A1-1) Position / Position : Left shoulder strap



A1-2) Position / Position : Right shoulder strap



A1-3) Position / Position : Left pelvic strap



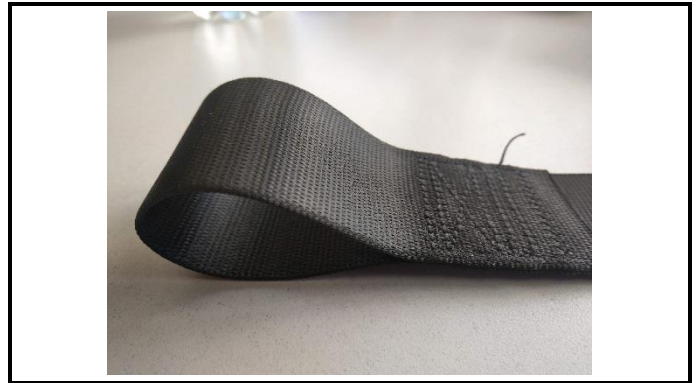
A1-4) Position / Position : Right pelvic strap



A1-5) Position / Position : Left crotch strap



A1-6) Position / Position : Right crotch strap

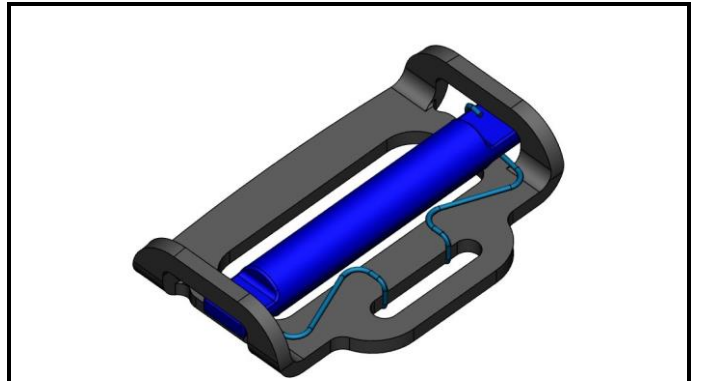


203. VUES DES DISPOSITIFS DE REGLAGE/ ADJUSTING DEVICES VIEWS

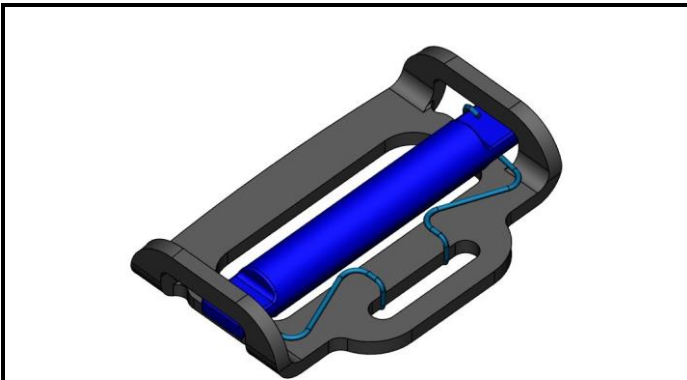
A2-1) Position / Position : Left and right upper shoulder straps



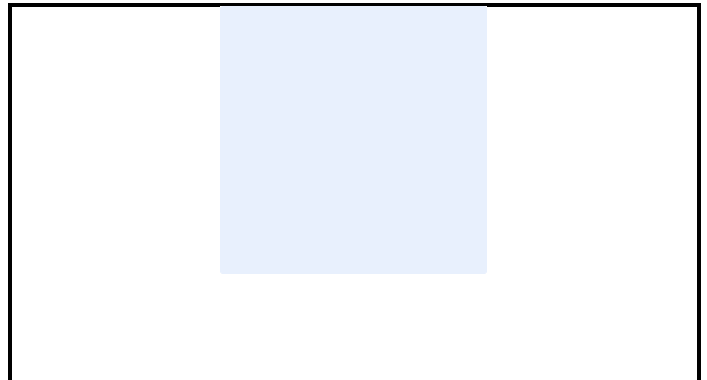
A2-2) Position / Position : Left and right pelvic straps



A2-3) Position / Position : Left and right crotch straps



A2-4) Position / Position :



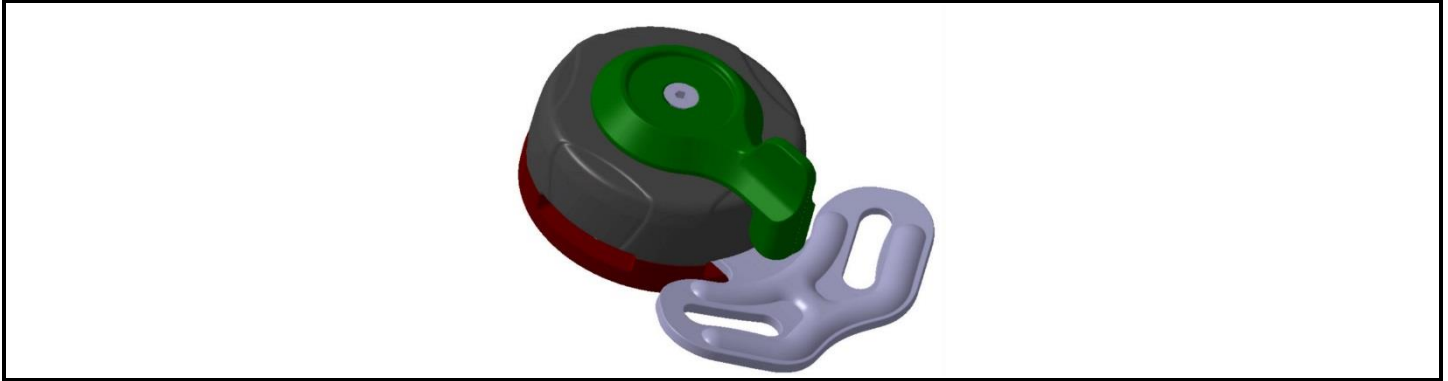
204. BOUCLE / BUCKLE

204.1 Boucle à libération complète / Full release buckle Material

Oui / Yes

Non / No

A3-1) Vue de la boucle / Buckle view



3. ETIQUETTES D'HOMOLOGATION ET DE IDENTIFICATION / HOMOLOGATION AND IDENTIFICATION LABELS

301. ETIQUETTES / LABELS

a) Dimensions [mm]
Dimensions [mm]

Etiquette d'homologation
Homologation label

84 x 44

Etiquette d'identification
Identification label

40 x 44

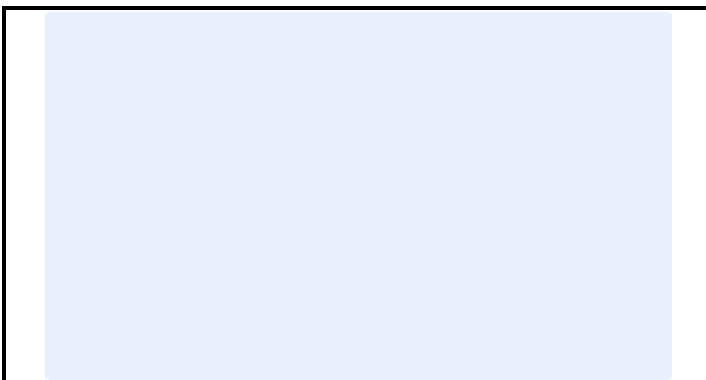
B1-1) Etiquette d'homologation et autocollant FIA cousus sur le harnais
Homologation label and FIA sticker stitched on the harness

B1-2) Etiquette d'homologation cousus sur le harnais
Homologation label stitched on the harness

In compliance with: FIA Standard 8853-2016	
Manufacturer Name:	sparco
Serial N°: xxx xxx	For FHR use only
Homologation N°: SH.XXX.XX-T-X	
Not valid after: 20XX	

In compliance with: FIA Standard 8853-2016	
sparco	
Homologation N°: SH.XXX.XX-T-X	
For FHR use only	
Not valid after: 20XX	

B1-3) Marquages pour boucle a libération complète
Full release buckle marking



INFORMATIONS COMPLEMENTAIRES / COMPLEMENTARY INFORMATION

ALTERNATIVE ATTACHMENTS ON ALL STRAPS (MH00017)



ALTERNATIVE ATTACHMENTS ON ALL STRAPS (MH00017+MH20014)



LOGO ON SHOULDER STRAP (OPTIONAL)



(LOGO PRINTED ON STRAP)



(LOGO SEWN ON STRAP)

HANS GRIP MATERIAL ON SHOULDER STRAP - COLOR MAY VARY (OPTIONAL)



PULL TABS ON ADJUSTERS (OPTIONAL)



Marque
Make

SPARCO

Modèle
Model

04835H

Homologation N°

SH.085.21-T-6

WEBBING LOOP FOR INTERCOM (OPTIONAL)



VELCRO SEWN ON UPPER SHOULDER STRAPS (OPTIONAL)



VELCRO SEWN ON LOWER SHOULDER STRAPS (OPTIONAL)



WEBBING LOOP FOR PULLING STRAPS (OPTIONAL)



ALTERNATIVE ATTACHMENTS ON SHOULDER, PELVIC AND CROTCH STRAPS (MH20014+MH20010)

