



FEDERATION INTERNATIONALE  
DE L'AUTOMOBILE

Homologation N°

**SH.034.17-T-6**

Date

07.12.2017

FICHE DE PRESENTATION DES HARNAIS DE SECURITE (NORME FIA 8853-2016)  
PRESENTATION FORM FOR SAFETY HARNESSSES (FIA STANDARD 8853-2016)

**1. GENERALITES / GENERAL**

**101. CONSTRUCTEUR / MANUFACTURER**

SCHROTH SAFETY PRODUCTS GMBH

- a) Adresse  
Address IM OHL 14, 59757 ARNSBERG / GERMANY
- b) Téléphone  
Phone +49 2932 9742 0
- c) E-mail  
E-mail GERMANY@EU.SCHROTH.COM

**102. PHOTO DU HARNAIS COMPLET / PICTURE OF THE COMPLETE HARNESS**



**103. MODELE DU HARNAIS / HARNESS MODEL**

- a) Modèle  
Model TAKATA RACE 3X2
- (6-POINT HARNESS BELT WITH 3" SHOULDER BELTS AND WITH 2" PELVIC STRAPS)

Marque  
Make

SCHROTH SAFETY PRODUCTS  
GMBH

Modèle  
Model

TAKATA RACE 3X2  
(6-POINT HARNESS BELT WITH 3"  
SHOULDER BELTS AND WITH 2"  
PELVIC STRAPS)

**SH.034.17-T-6**

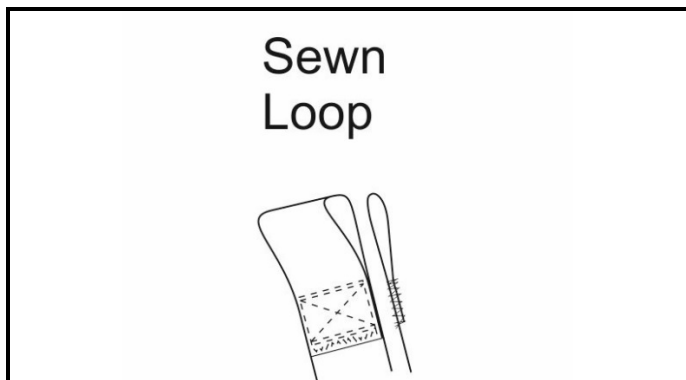
## 2. DETAILS DU HARNAIS / DETAILS OF HARNESS

### 201. SANGLES / STRAPS

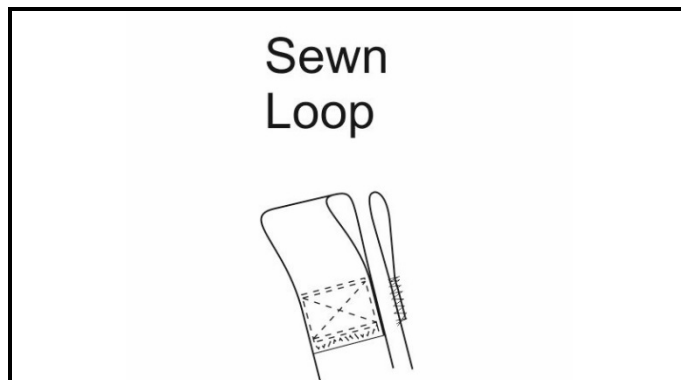
	Matériau Material	Largeur Width (mm)	Position Position
			<b>shoulder straps</b>
201.01 <b>GU 19.10.x</b> (x=colour key)	polyester	3"	
201.02 <b>GU 10.7.x</b> (x=colour key)	polyester	1"	<b>crotch strap loops</b>
201.03 <b>GU 11.6.x</b> (x=colour key)	polyester	2"	<b>pelvic straps</b> <b>crotch straps</b>
201.04			
201.05			
201.06			

### 202. VUES DES PIÈCES DE FIXATION/ ATTACHMENTS VIEWS

A1-1) Position / Position : **right shoulder strap**



A1-2) Position / Position : **left shoulder strap**



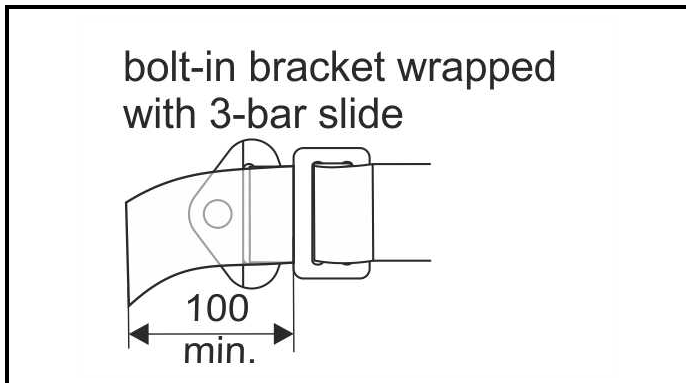
Marque **SCHROTH SAFETY PRODUCTS**  
 Make **GMBH**

Modèle  
 Model

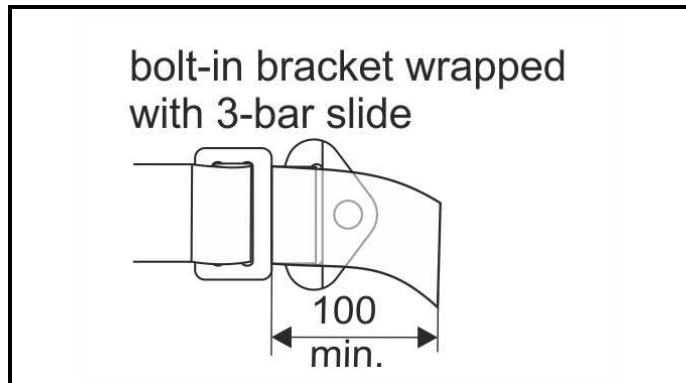
**TAKATA RACE 3X2**  
**(6-POINT HARNESS BELT WITH 3"**  
**SHOULDER BELTS AND WITH 2"**  
**PELVIC STRAPS)**

**SH.034.17-T-6**

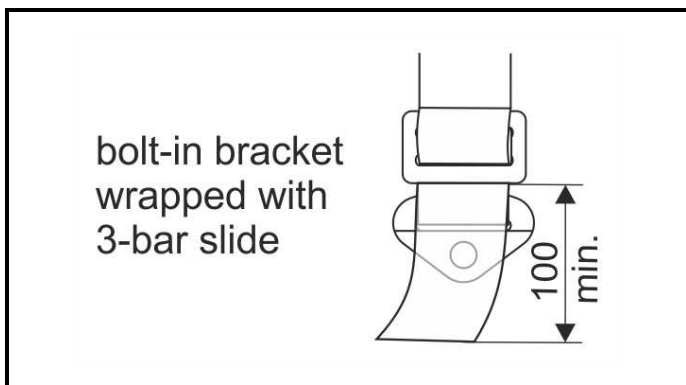
A1-3) Position / Position : right pelvic strap



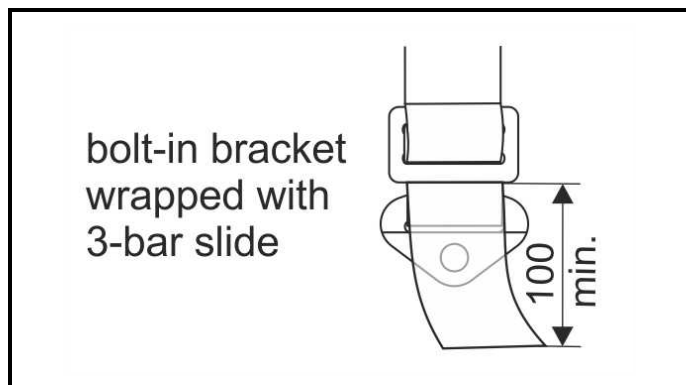
A1-4) Position / Position : left pelvic strap



A1-5) Position / Position : right crotch strap

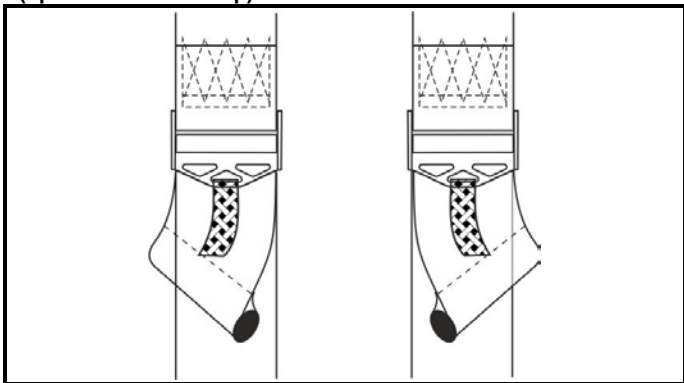


A1-6) Position / Position : left crotch strap

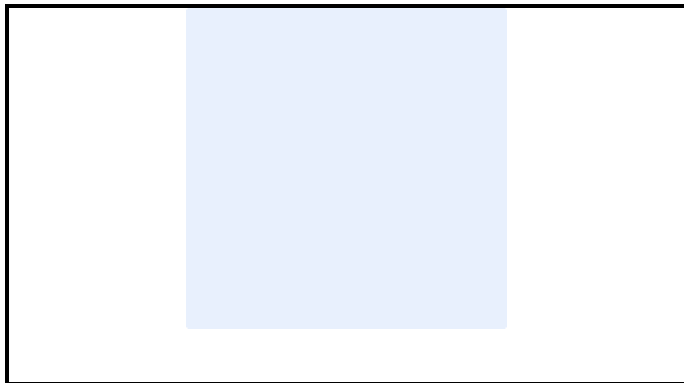


**203. VUES DES DISPOSITIFS DE REGLAGE/ ADJUSTING DEVICES VIEWS**

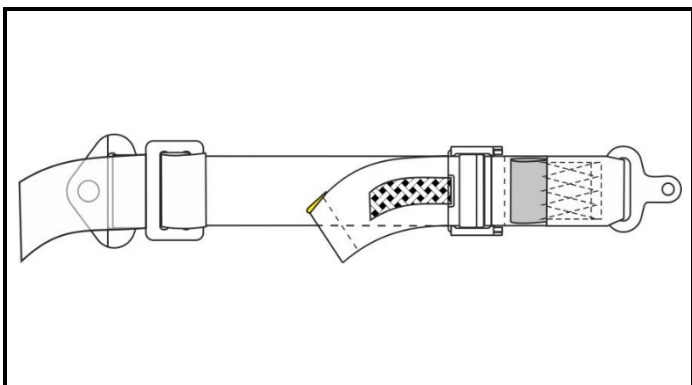
A2-1) Position / Position : 3" right and left shoulder strap (optional release strap)



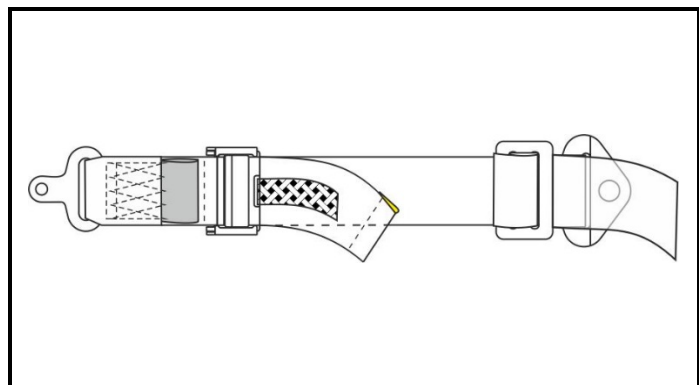
A2-2) Position / Position :



A2-3) Position / Position : 2" right pelvic adjuster (opt. release strap) pull-down configuration



A2-4) Position / Position : 2" left adjuster (opt. release strap) pull-down configuration



Marque  
Make **SCHROTH SAFETY PRODUCTS  
GMBH**

Modèle  
Model

**TAKATA RACE 3X2**  
**(6-POINT HARNESS BELT WITH 3"**  
**SHOULDER BELTS AND WITH 2"**  
**PELVIC STRAPS)**

**SH.034.17-T-6**

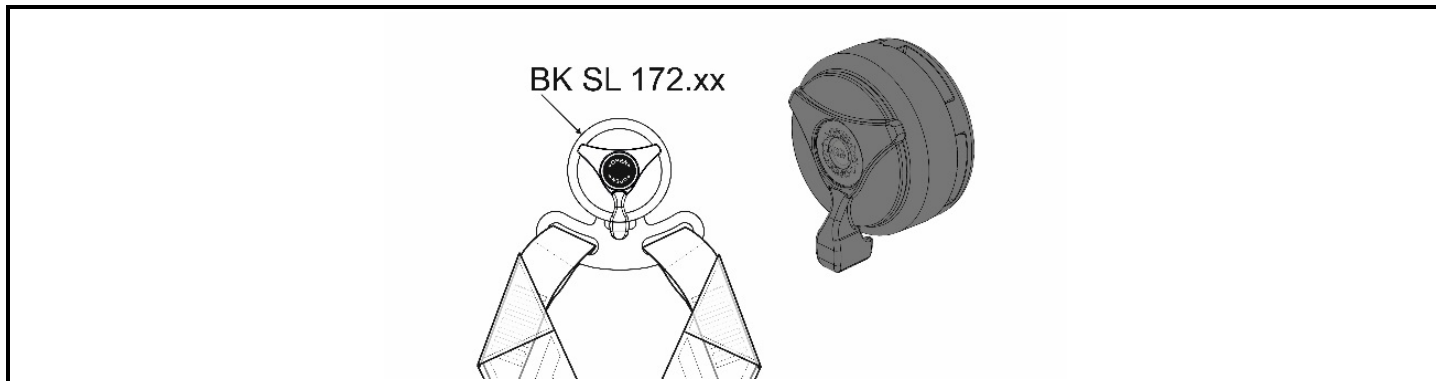
### 204. BOUCLE / BUCKLE

204.1 Boucle à libération complète / Full release buckle Material

Oui / Yes

Non / No

A3-1) Vue de la boucle / Buckle view



### 3. ETIQUETTES D'HOMOLOGATION ET DE IDENTIFICATION / HOMOLOGATION AND IDENTIFICATION LABELS

#### 301. ETIQUETTES / LABELS

a) Dimensions [mm]  
Dimensions [mm]

Etiquette d'homologation  
Homologation label

height 44 x width 84 (+stitching areas)

Etiquette d'identification  
Identification label

height 40 (+ stitching areas) x width 44

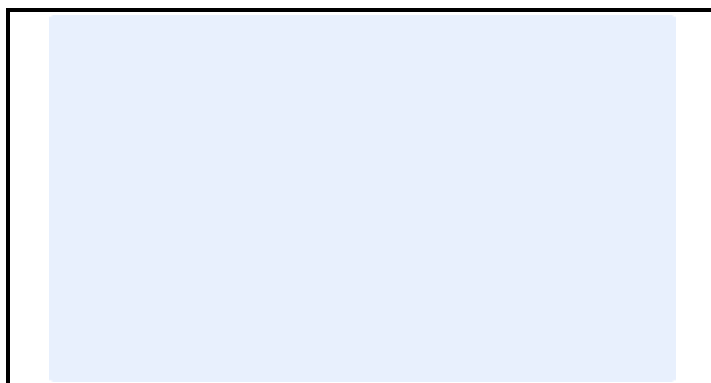
B1-1) Etiquette d'homologation et autocollant FIA cousus sur le harnais  
Homologation label and FIA sticker stitched on the harness

In compliance with: <b>FIA Standard 8853-2016</b>
Manufacturer Name: <b>TAKATA</b>
Serial N°: <b>BARCODE: EAN Code 39 DKyyzzzzz</b>
Homologation N°: <b>SH.034.17-T-6</b>
Not valid after : <b>20JJ</b>

B1-2) Etiquette d'homologation cousus sur le harnais  
Homologation label stitched on the harness

In compliance with: <b>FIA Standard 8853-2016</b>
<b>TAKATA</b>
Homologation N°: <b>SH.034.17-T-6</b>
Not valid after : <b>20JJ</b>

B1-3) Marquages pour boucle a libération complète  
Full release buckle marking



Marque  
Make

SCHROTH SAFETY PRODUCTS  
GMBH

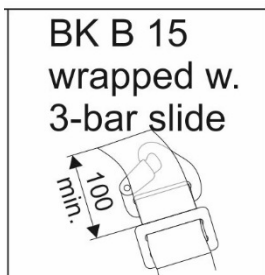
Modèle  
Model

TAKATA RACE 3X2  
(6-POINT HARNESS BELT WITH 3"  
SHOULDER BELTS AND WITH 2"  
PELVIC STRAPS)

**SH.034.17-T-6**

**INFORMATIONS COMPLEMENTAIRES / COMPLEMENTARY INFORMATION**

**ALTERNATIVE ATTACHMENT – PELVIC AND CROTCH STRAPS**



**ALTERNATIVE ATTACHMENTS – SHOULDER STRAPS**

