



FEDERATION INTERNATIONALE
DE L'AUTOMOBILE

Homologation N°

SH.031.17-T-6

Date

15.10.2020

FICHE DE PRESENTATION DES HARNAIS DE SECURITE (NORME FIA 8853-2016)
PRESENTATION FORM FOR SAFETY HARNESSES (FIA STANDARD 8853-2016)

1. GENERALITES / GENERAL

101. CONSTRUCTEUR / MANUFACTURER

SABELT

- a) Adresse
Address VIA G. ROSSA, 10
- b) Téléphone
Phone +390116477911
- c) E-mail
E-mail INFO@SABELT.COM

102. PHOTO DU HARNAIS COMPLET / PICTURE OF THE COMPLETE HARNESS



103. MODELE DU HARNAIS / HARNESS MODEL

- a) Modèle
Model NEW SPEC S3

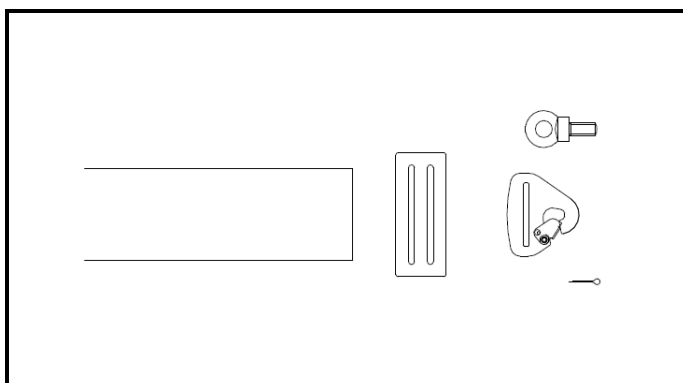
2. DETAILS DU HARNAIS / DETAILS OF HARNESS

201. SANGLES / STRAPS

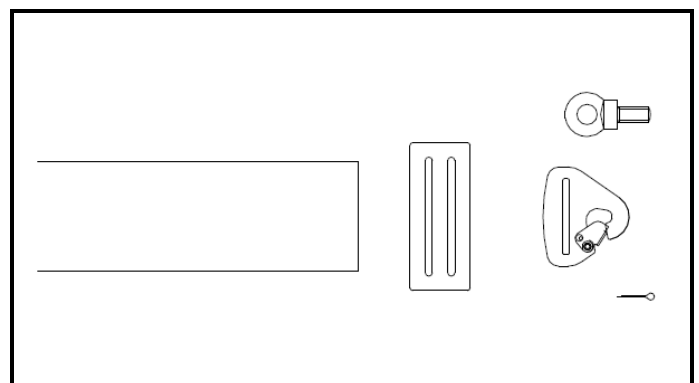
	Matériau Material	Largeur Width (mm)	Position Position
201.01 420052B	100% Polyester	73,5±1,5	Sangles d'épaules du haut du corps / Shoulder body top strap
201.02 420052B	100% Polyester	73,5±1,5	Sangles d'épaules inférieures / Shoulder bottom straps
201.03 420052	100% Polyester	75,5±2,5	Sangle pelvienne / Pelvic strap
201.04 420002B	100% Polyester	50±1,5	Sangle d'entrejambes / Crotch strap
201.05			
201.06			

202. VUES DES PIÈCES DE FIXATION/ ATTACHMENTS VIEWS

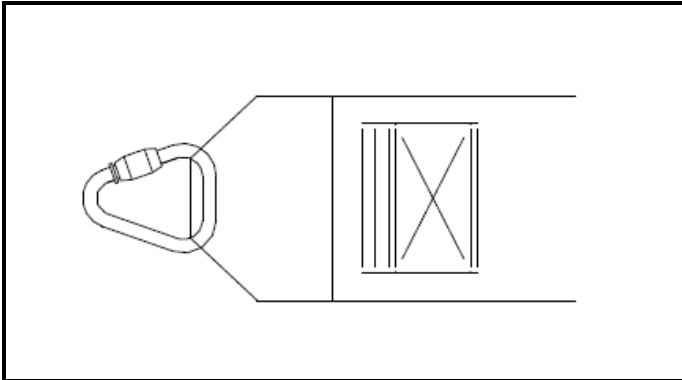
A1-1) Position / Position : left shoulder strap



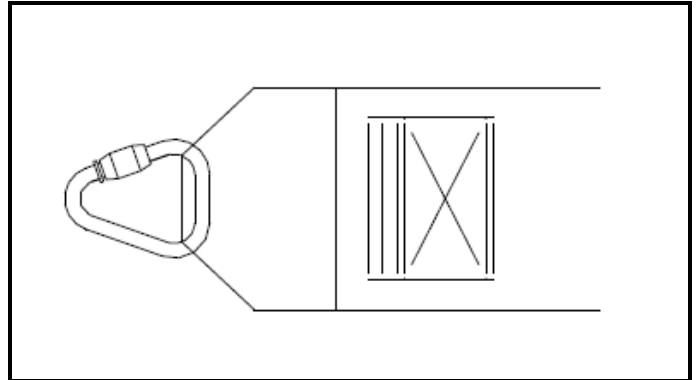
A1-2) Position / Position : right shoulder strap



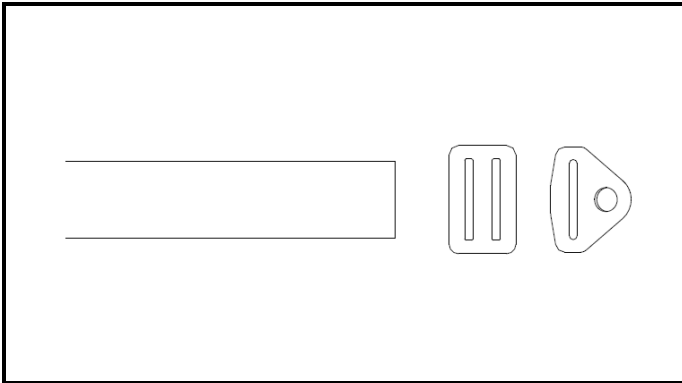
A1-3) Position / Position : left lap strap



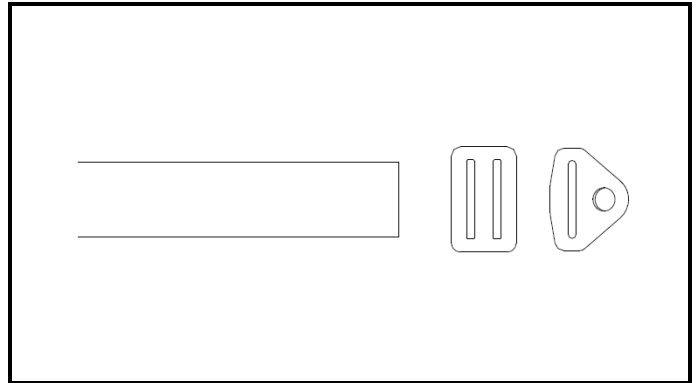
A1-4) Position / Position : right lap strap



A1-5) Position / Position : left crotch strap



A1-6) Position / Position : right crotch strap



203. VUES DES DISPOSITIFS DE REGLAGE/ ADJUSTING DEVICES VIEWS

A2-1) Position / Position : left and right shoulder body strap



A2-2) Position / Position : left and right Shoulder body top straps



A2-3) Position / Position : left and right lap strap



A2-4) Position / Position : left and right crotch strap



Marque
Make **SABELT**

Modèle
Model **NEW SPEC S3**

Homologation N°

SH.031.17-T-6

204. BOUCLE / BUCKLE

204.1 Boucle à libération complète / Full release buckle Material

Oui / Yes

Non / No

A3-1) Vue de la boucle / Buckle view



3. ETIQUETTES D'HOMOLOGATION ET DE IDENTIFICATION / HOMOLOGATION AND IDENTIFICATION LABELS

301. ETIQUETTES / LABELS

a) Dimensions [mm]
Dimensions [mm]

Etiquette d'homologation
Homologation label

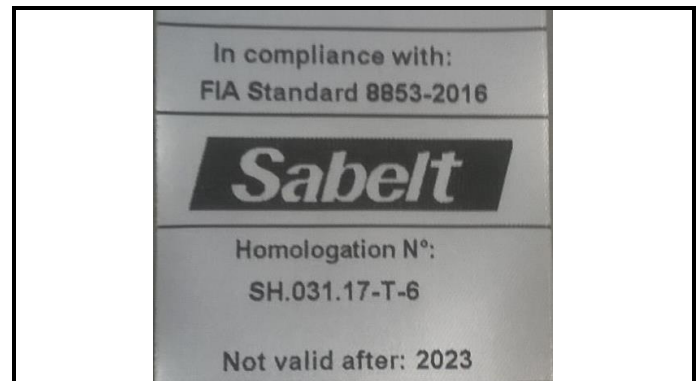
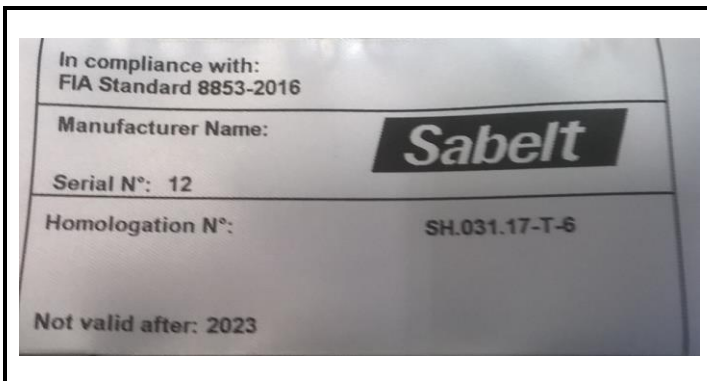
44 x 84

Etiquette d'identification
Identification label

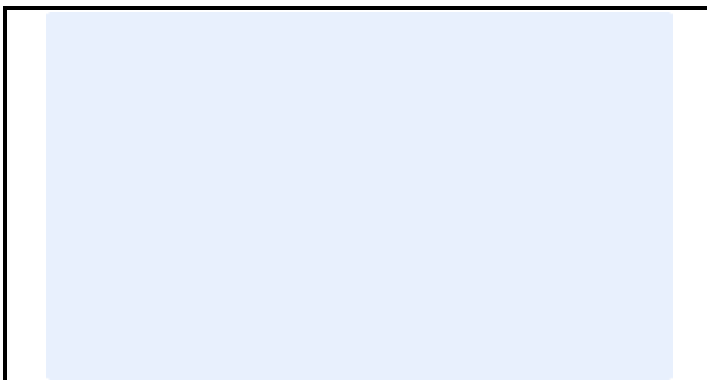
44 x 40

B1-1) Etiquette d'homologation et autocollant FIA cousus sur le harnais
Homologation label and FIA sticker stitched on the harness

B1-2) Etiquette d'homologation cousus sur le harnais
Homologation label stitched on the harness



B1-3) Marquages pour boucle a libération complète
Full release buckle marking



INFORMATIONS COMPLEMENTAIRES / COMPLEMENTARY INFORMATION

ALTERNATIVE ADJUSTER – SHOULDER STRAPS



ALTERNATIVE ADJUSTER – PELVIC STRAPS



ALTERNATIVE PELVIC STRAP – INCLUDES NEW WEBBING AND ADJUSTER



VELCRO AND LABELS ON SHOULDER STRAPS – OPTIONAL



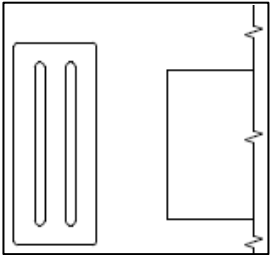
VELCRO ON PELVIC STRAPS – OPTIONAL



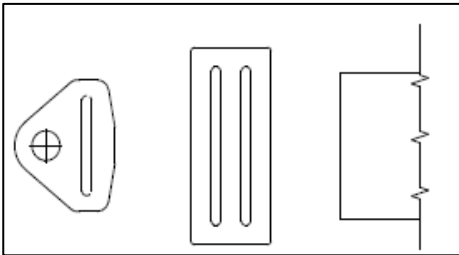
YELLOW PULL-LOOP – PELVIC and SHOULDER – OPTIONAL



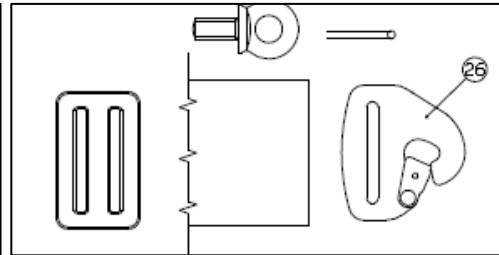
**ALTERNATIVE ATTACHMENT - SHOULDER STRAP
LOOP AND TRIBAR**



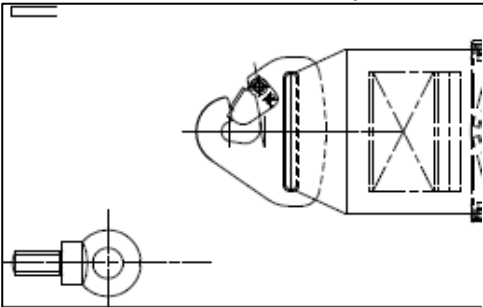
ANCHOR PLATE AND TRIBAR



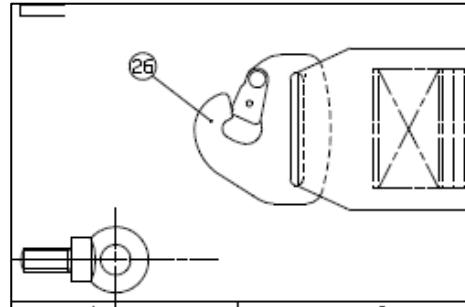
SNAP HOOK AND TRIBAR



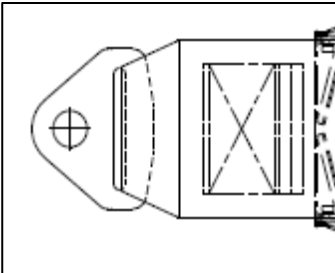
**ALTERNATIVE ATTACHMENT - LAP STRAP
STITCHED SNAP HOOK)**



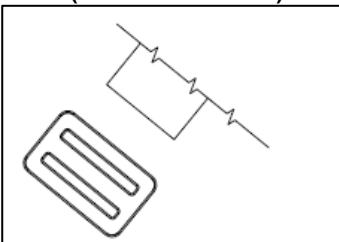
STITCHED SNAP HOOK - DIFFERENT DESIGN



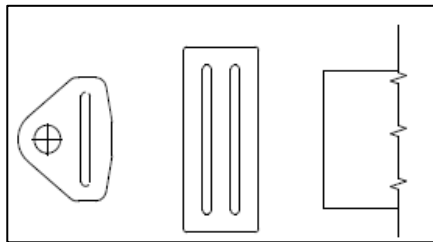
ALTERNATIVE ATTACHMENT - LAP STRAP (STITCHED ANCHOR PLATE)



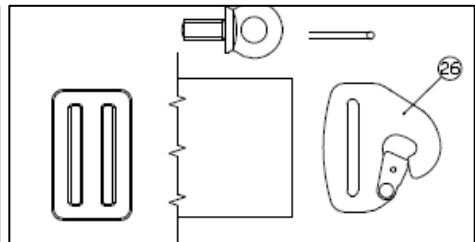
**ALTERNATIVE ATTACHMENT - CROTCH STRAP
(LOOP AND TRIBAR)**



ANCHOR PLATE AND TRIBAR



SNAP HOOK AND TRIBAR



SHOULDER STRAP - RETENTION CABLE LOOPS (position and number of loops can vary)



Marque
Make

SABELT

Modèle
Model

NEW SPEC S3

Homologation N°

SH.031.17-T-6

ALTERNATIVE ATTACHMENT - CROTCH STRAP



ALTERNATIVE ATTACHMENT - SHOULDER STRAP



ALTERNATIVE ATTACHMENT - PELVIC STRAP



ALTERNATIVE PELVIC STRAPS AND ADJUSTER



Marque
Make **SABELT**

Modèle
Model **NEW SPEC S3**

Homologation N°

SH.031.17-T-6

ALTERNATIVE BUCKLE LEVER



NEW LOGO ON SHOULDER STRAP

