



FEDERATION INTERNATIONALE DE L'AUTOMOBILE

Homologation N°

SH.027.17-T-6

Date

04.12.2017

FICHE DE PRESENTATION DES HARNAIS DE SECURITE (NORME FIA 8853-2016)
PRESENTATION FORM FOR SAFETY HARNESSSES (FIA STANDARD 8853-2016)

1. GENERALITES / GENERAL

101. CONSTRUCTEUR / MANUFACTURER

TAKATA RACING (PART OF SCHROTH SAFETY PRODUCTS GMBH)

- a) Adresse
Address IM OHL 14, 59757 ARNSBERG / GERMANY
- b) Téléphone
Phone +49 2932 9742 0
- c) E-mail
E-mail GERMANY@EU.SCHROTH.COM

102. PHOTO DU HARNAIS COMPLET / PICTURE OF THE COMPLETE HARNESS



103. MODELE DU HARNAIS / HARNESS MODEL

- a) Modèle
Model RACE 2X2
- (6-POINT HARNESS BELT WITH 2" SHOULDER BELTS FOR FHR USE ONLY AND WITH 2" PELVIC STRAPS)

Marque
Make

TAKATA

Modèle
Model

RACE 2X2
(6-POINT HARNESS BELT WITH 2"
SHOULDER BELTS FOR FHR USE
ONLY AND WITH 2" PELVIC STRAPS)

SH.027.17-T-6

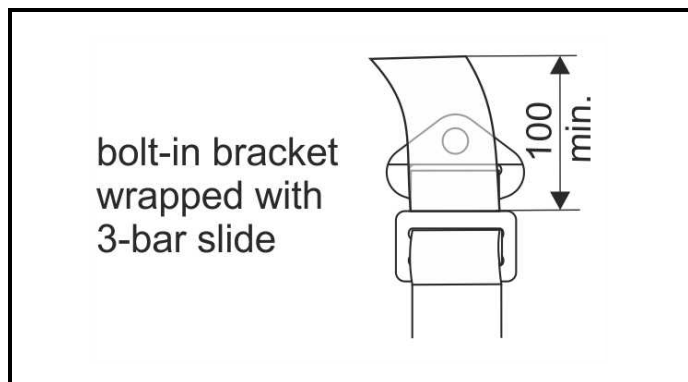
2. DETAILS DU HARNAIS / DETAILS OF HARNESS

201. SANGLES / STRAPS

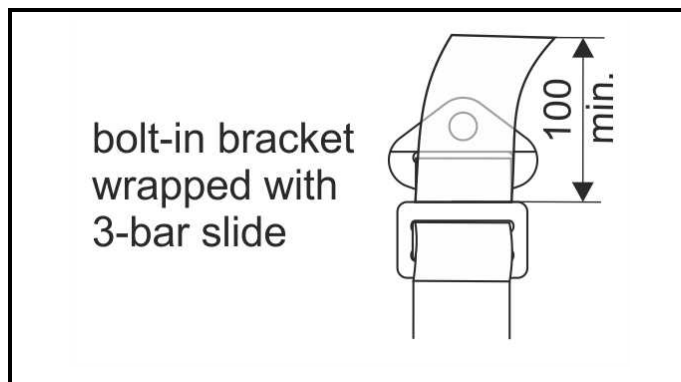
	Matériau Material	Largeur Width (mm)	Position Position
201.01 GU 11.6.x (x=colour key)	polyester	2"	shoulder straps pelvic straps crotch straps
201.02 GU 10.7.x (x=colour key)	polyester	1"	crotch strap loops
201.03			
201.04			
201.05			
201.06			

202. VUES DES PIÈCES DE FIXATION/ ATTACHMENTS VIEWS

A1-1) Position / Position : right shoulder strap



A1-2) Position / Position : left shoulder strap



Marque
Make

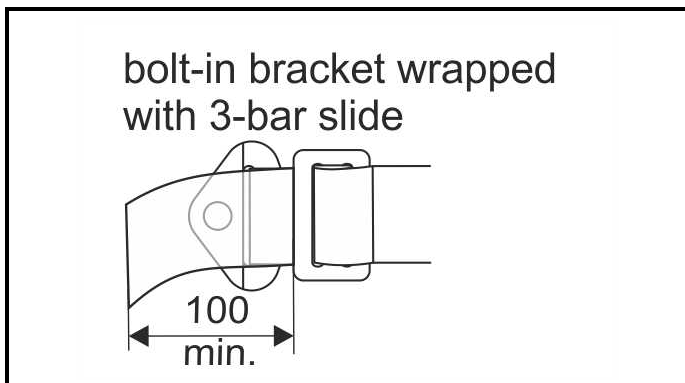
TAKATA

Modèle
Model

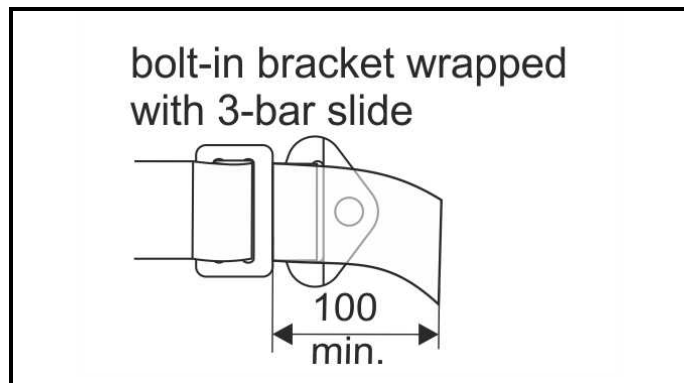
RACE 2X2
(6-POINT HARNESS BELT WITH 2"
SHOULDER BELTS FOR FHR USE
ONLY AND WITH 2" PELVIC STRAPS)

SH.027.17-T-6

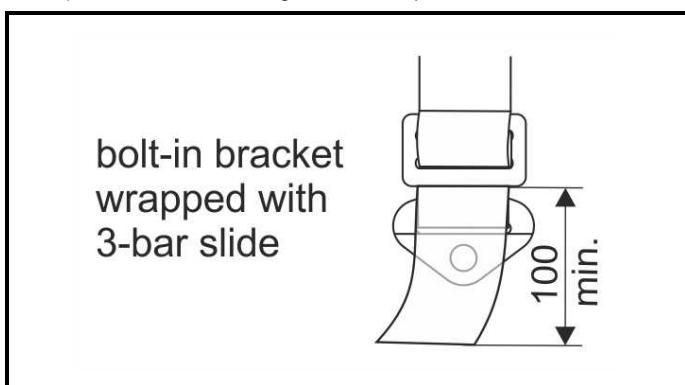
A1-3) Position / Position : right pelvic strap



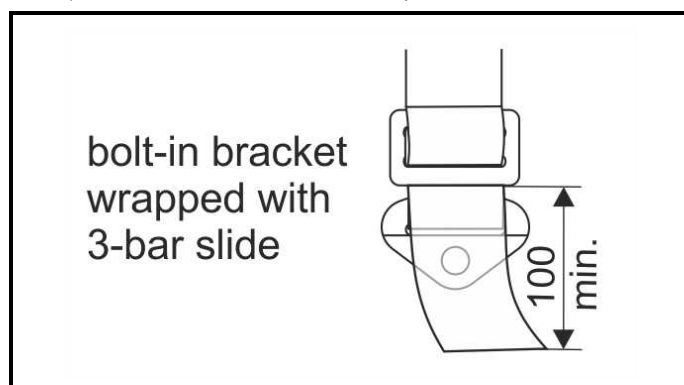
A1-4) Position / Position : left pelvic strap



A1-5) Position / Position : right crotch strap

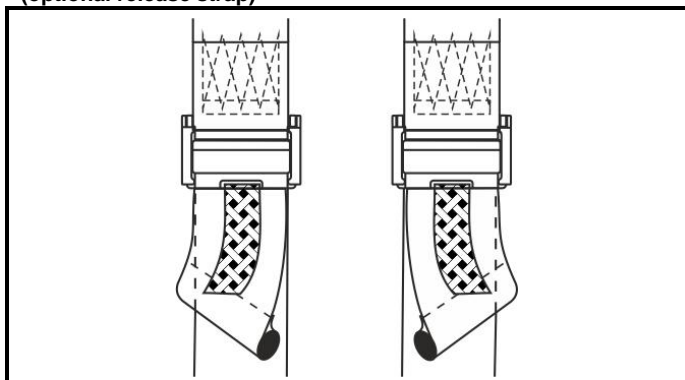


A1-6) Position / Position : left crotch strap

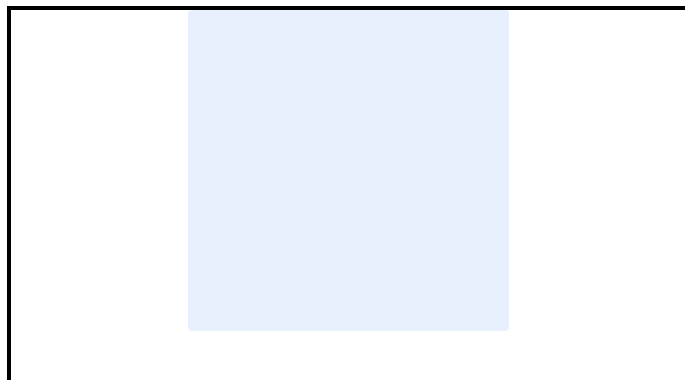


203. VUES DES DISPOSITIFS DE REGLAGE/ ADJUSTING DEVICES VIEWS

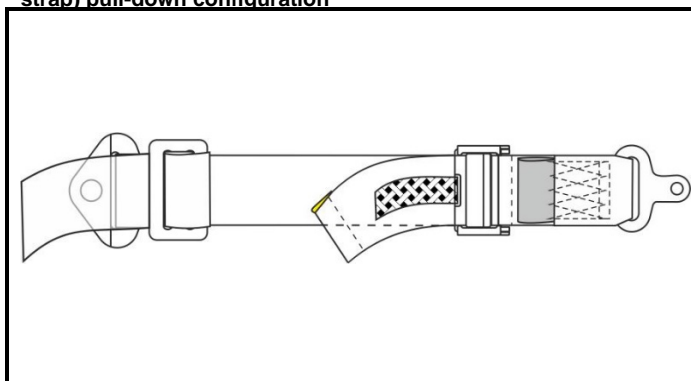
A2-1) Position / Position : 2" right and left shoulder strap (optional release strap)



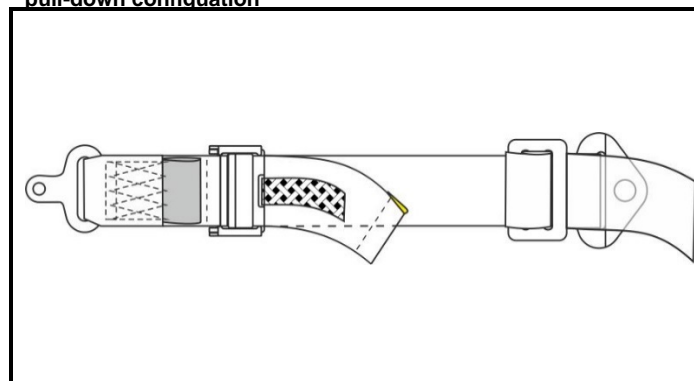
A2-2) Position / Position :



A2-3) Position / Position : 2" right pelvic adjuster (optional release strap) pull-down configuration



A2-4) Position / Position : 2" left adjuster (optional release strap) pull-down configuration



Marque
Make

TAKATA

Modèle
Model

RACE 2X2
(6-POINT HARNESS BELT WITH 2"
SHOULDER BELTS FOR FHR USE
ONLY AND WITH 2" PELVIC STRAPS)

SH.027.17-T-6

204. BOUCLE / BUCKLE

204.1 Boucle à libération complète / Full release buckle Material

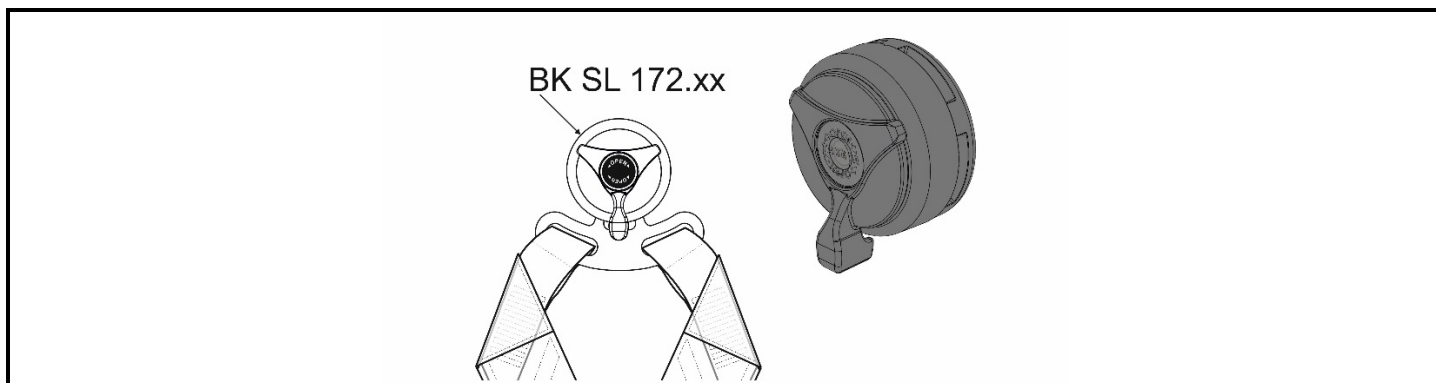
Oui / Yes



Non / No



A3-1) Vue de la boucle / Buckle view



3. ETIQUETTES D'HOMOLOGATION ET DE IDENTIFICATION / HOMOLOGATION AND IDENTIFICATION LABELS

301. ETIQUETTES / LABELS

a) Dimensions [mm]
Dimensions [mm]

Etiquette d'homologation
Homologation label

height 44 x width 84 (+stitching areas)

Etiquette d'identification
Identification label

height 40 (+ stitching areas) x width 44

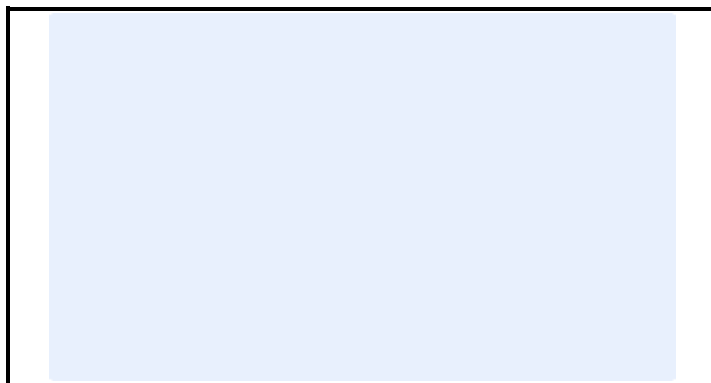
B1-1) Etiquette d'homologation et autocollant FIA cousus sur le harnais
Homologation label and FIA sticker stitched on the harness

In compliance with: FIA Standard 8853-2016
Manufacturer Name: TAKATA
Serial N°: BARCODE: EAN Code 39 DFyyzzzzz For FHR use only
Homologation N°: SH.027.17-T-6
Not valid after : 20JJ

B1-2) Etiquette d'homologation cousus sur le harnais
Homologation label stitched on the harness

In compliance with: FIA Standard 8853-2016	In compliance with: FIA Standard 8853-2016
SCHROTH	SCHROTH
Homologation N°: SH.027.17-T-6	Homologation N°: SH.027.17-T-6
For FHR use only Not valid after : 20JJ	Not valid after : 20JJ
For right shoulder straps	For pelvic and crotch straps

B1-3) Marquages pour boucle a libération complète
Full release buckle marking



Marque
Make

TAKATA

Modèle
Model

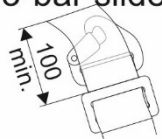
RACE 2X2
(6-POINT HARNESS BELT WITH 2"
SHOULDER BELTS FOR FHR USE
ONLY AND WITH 2" PELVIC STRAPS)

SH.027.17-T-6

INFORMATIONS COMPLEMENTAIRES / COMPLEMENTARY INFORMATION

ALTERNATIVE ATTACHMENT – ALL STRAPS

BK B 15
wrapped w.
3-bar slide



Wrap Around
with 3-bar slide

