



# FEDERATION INTERNATIONALE DE L'AUTOMOBILE

Homologation N°

**SH.022.17-T-6**

Date

01.02.2023

FICHE DE PRESENTATION DES HARNAIS DE SECURITE (NORME FIA 8853-2016)  
PRESENTATION FORM FOR SAFETY HARNESSSES (FIA STANDARD 8853-2016)

## 1. GENERALITES / GENERAL

### 101. CONSTRUCTEUR / MANUFACTURER

SCHROTH SAFETY PRODUCTS GMBH

- a) Adresse  
Address IM OHL 14, 59757 ARNSBERG / GERMANY
- b) Téléphone  
Phone +49 2932 9742 0
- c) E-mail  
E-mail GERMANY@EU.SCHROTH.COM

### 102. PHOTO DU HARNAIS COMPLET / PICTURE OF THE COMPLETE HARNESS



### 103. MODELE DU HARNAIS / HARNESS MODEL

- a) Modèle  
Model **ENDURO 3X2**  
**(6-POINT HARNESS BELT WITH 3" SHOULDER BELTS AND WITH 2" PELVIC STRAPS)**

Marque  
Make

SCHROTH SAFETY PRODUCTS  
GMBH

Modèle  
Model

ENDURO 3X2  
(6-POINT HARNESS BELT WITH 3"  
SHOULDER BELTS AND WITH 2"  
PELVIC STRAPS)

**SH.022.17-T-6**

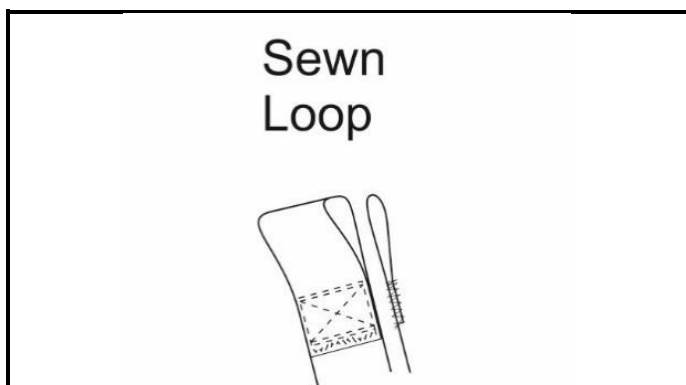
## 2. DETAILS DU HARNAIS / DETAILS OF HARNESS

### 201. SANGLES / STRAPS

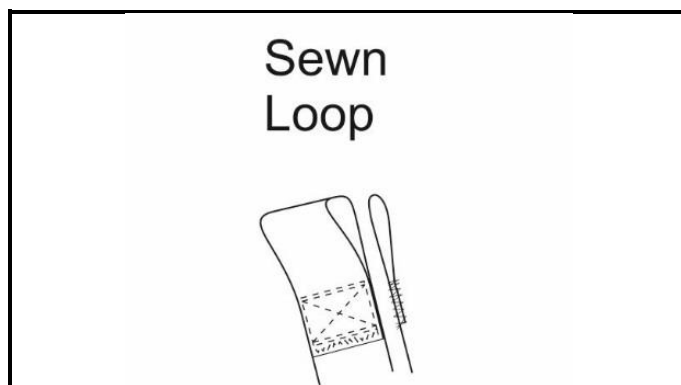
	Matériau Material	Largeur Width (mm)	Position Position
			<b>shoulder straps</b>
201.01 <b>GU 19.10.x</b> (x=colour key)	polyester	3"	
201.02 <b>GU 10.7.x</b> (x=colour key)	polyester	1"	<b>crotch strap loops</b>
201.03 <b>GU 15.7.x</b> (x=colour key)	polyester	2"	<b>pelvic straps</b>
201.04 <b>GU 11.6.x</b> (x=colour key)	polyester	2"	<b>crotch straps</b>
201.05			
201.06			

### 202. VUES DES PIÈCES DE FIXATION/ ATTACHMENTS VIEWS

A1-1) Position / Position : **right shoulder strap**



A1-2) Position / Position : **left shoulder strap**



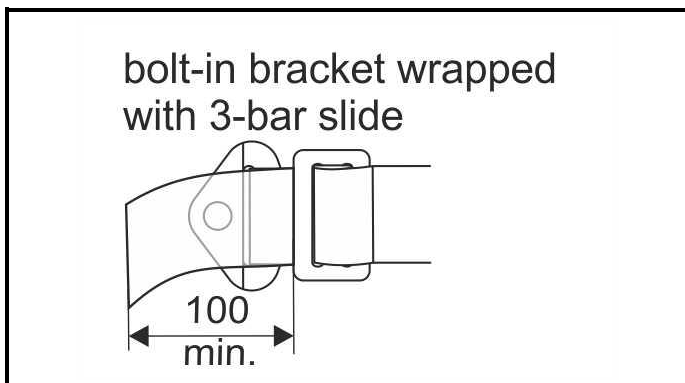
Marque **SCHROTH SAFETY PRODUCTS**  
 Make **GMBH**

Modèle  
 Model

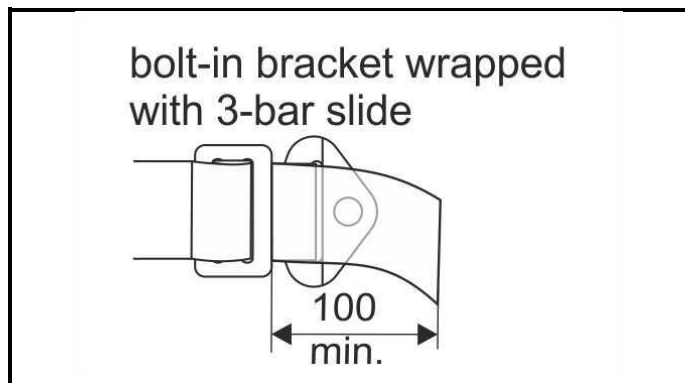
**ENDURO 3X2**  
**(6-POINT HARNESS BELT WITH 3"**  
**SHOULDER BELTS AND WITH 2"**  
**PELVIC STRAPS)**

**SH.022.17-T-6**

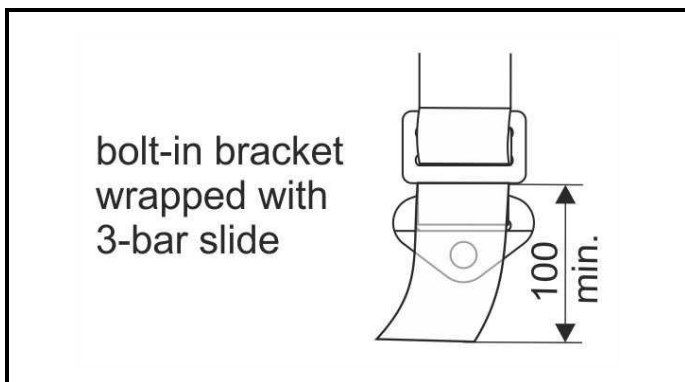
A1-3) Position / Position : **right pelvic strap**



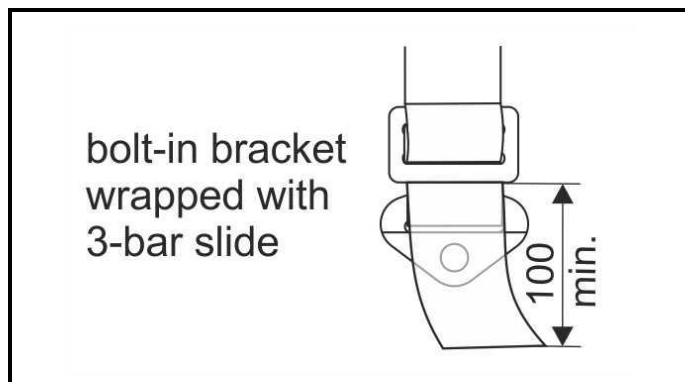
A1-4) Position / Position : **left pelvic strap**



A1-5) Position / Position : **right crotch strap**

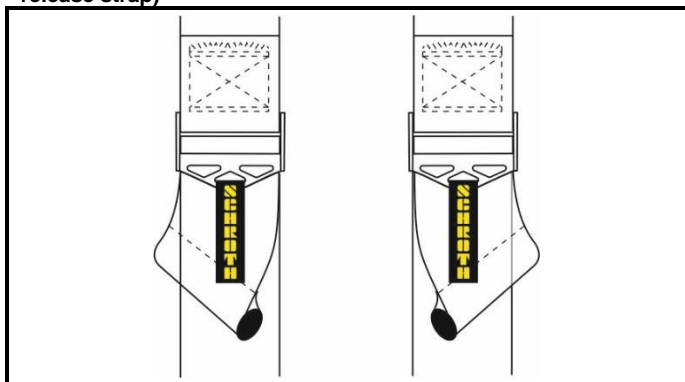


A1-6) Position / Position : **left crotch strap**

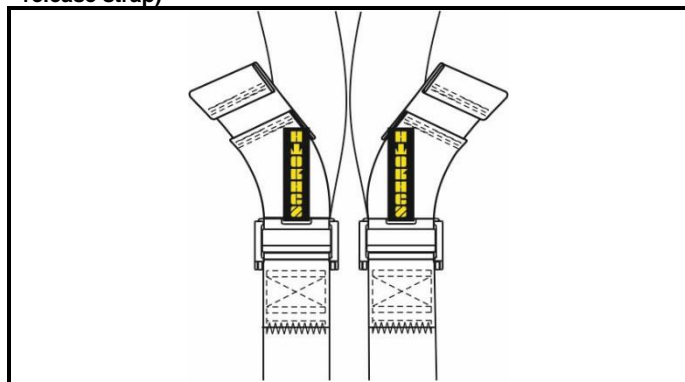


**203. VUES DES DISPOSITIFS DE REGLAGE/ ADJUSTING DEVICES VIEWS**

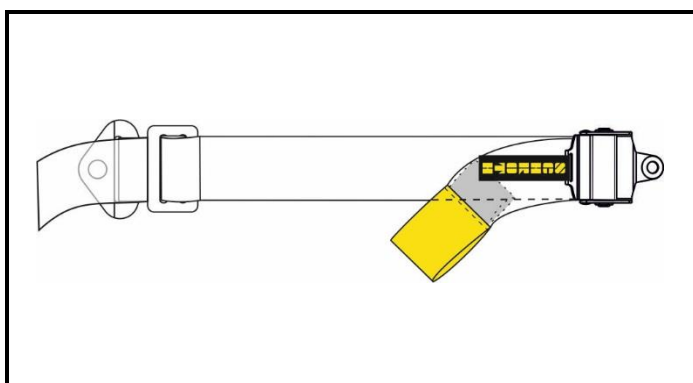
A2-1) Position / Position : **3" right and left shoulder (optional release strap)**



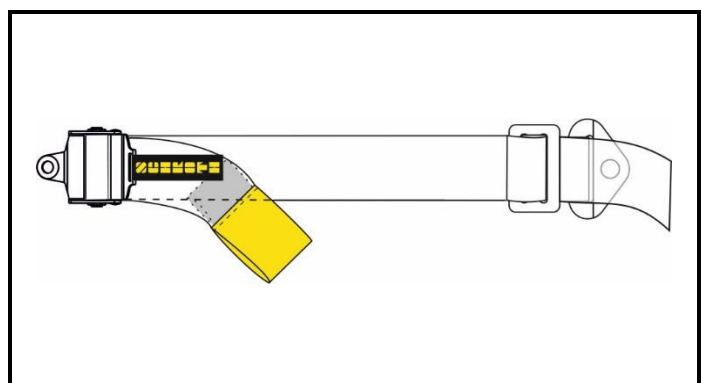
A2-2) Position / Position : **2" right and left crotch strap (optional release strap)**



A2-3) Position / Position : **2" right pelvic adjuster latch (opt. release strap) pull-down configuration**



A2-4) Position / Position : **2" left adjuster latch (opt. release strap) pull-down configuration**



Marque  
Make

SCHROTH SAFETY PRODUCTS  
GMBH

Modèle  
Model

ENDURO 3X2  
(6-POINT HARNESS BELT WITH 3"  
SHOULDER BELTS AND WITH 2"  
PELVIC STRAPS)

SH.022.17-T-6

### 204. BOUCLE / BUCKLE

204.1 Boucle à libération complète / Full release buckle Material

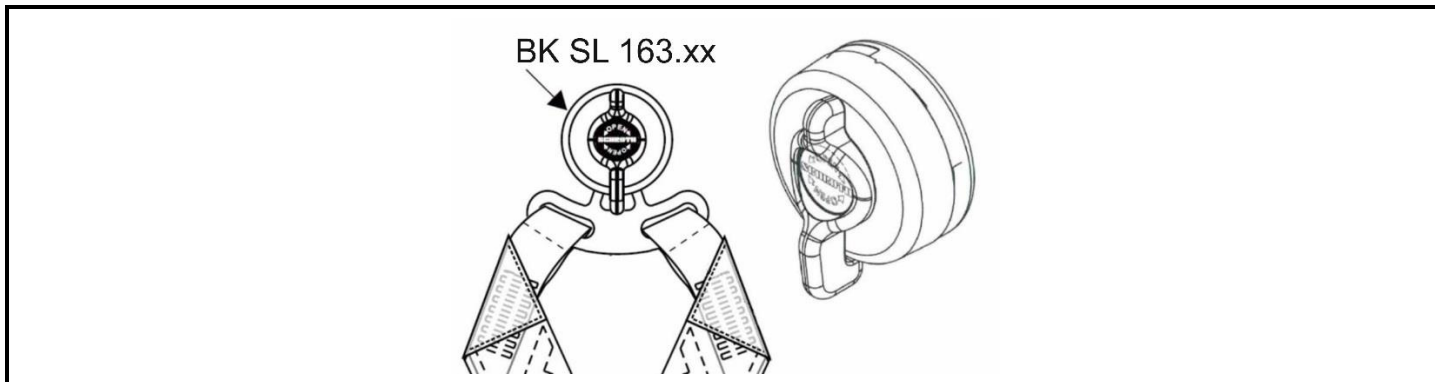
Oui / Yes



Non / No



A3-1) Vue de la boucle / Buckle view



### 3. ETIQUETTES D'HOMOLOGATION ET DE IDENTIFICATION / HOMOLOGATION AND IDENTIFICATION LABELS

#### 301. ETIQUETTES / LABELS

a) Dimensions [mm]  
Dimensions [mm]

Etiquette d'homologation  
Homologation label

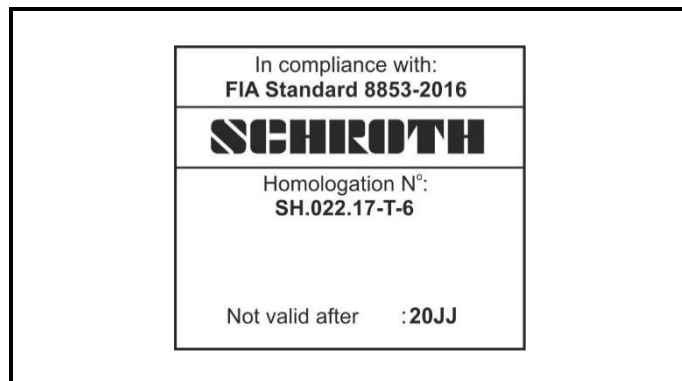
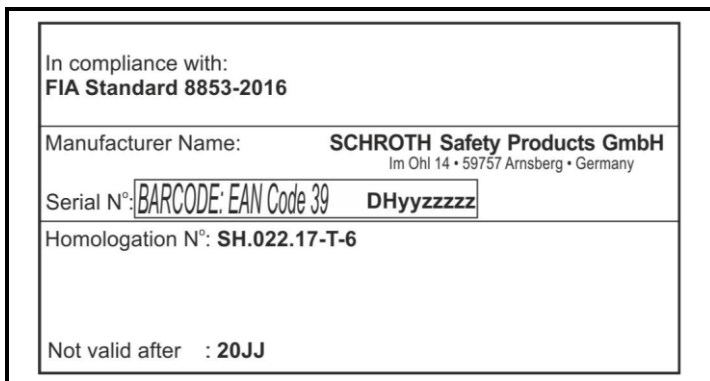
height 44 x width 84 (+stitching areas)

Etiquette d'identification  
Identification label

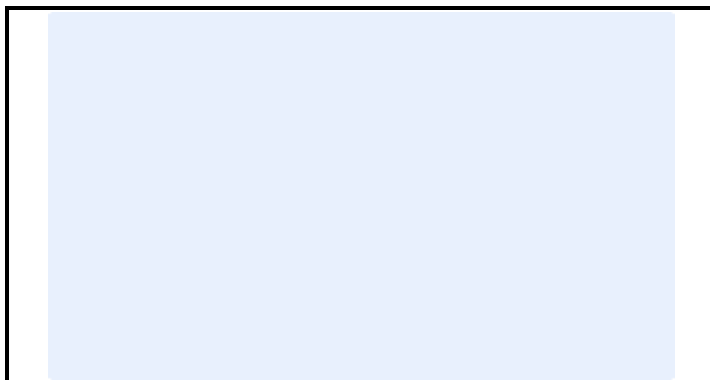
height 40 (+ stitching areas) x width 44

B1-1) Etiquette d'homologation et autocollant FIA cousus sur le harnais  
Homologation label and FIA sticker stitched on the harness

B1-2) Etiquette d'homologation cousus sur le harnais  
Homologation label stitched on the harness



B1-3) Marquages pour boucle a libération complète  
Full release buckle marking



Marque  
Make **SCHROTH SAFETY PRODUCTS  
GMBH**

Modèle  
Model **ENDURO 3X2  
(6-POINT HARNESS BELT WITH 3"  
SHOULDER BELTS AND WITH 2"  
PELVIC STRAPS)**

SH.022.17-T-6

**INFORMATIONS COMPLEMENTAIRES / COMPLEMENTARY INFORMATION**

**FIA Label Information:**  
additional Barcode with serial number  
on self-destructing label (sticker):  
length: 45 mm, height: 5 mm



**OPTIONAL PULL-TAB ON ADJUSTERS (with velcro)**



**ALTERNATIVE ATTACHMENT - CROTCH STRAP**

<p>BK B 15 wrapped w. 3-bar slide</p>	<p>BK B 18.xx.yy sewn</p>	<p>B 154 sewn</p>	<p>B 24.xx.yy sewn</p>	<p>B 24.xx.yy wrapped with 2-bar slide</p>	<p>2x B 169 Wrap Around</p> <p style="color: red; font-weight: bold; font-size: 0.8em;">for AUDI Sport only!</p>
---	-------------------------------	-----------------------	----------------------------	--	--

**ALTERNATIVE ATTACHMENT - PELVIC STRAP**

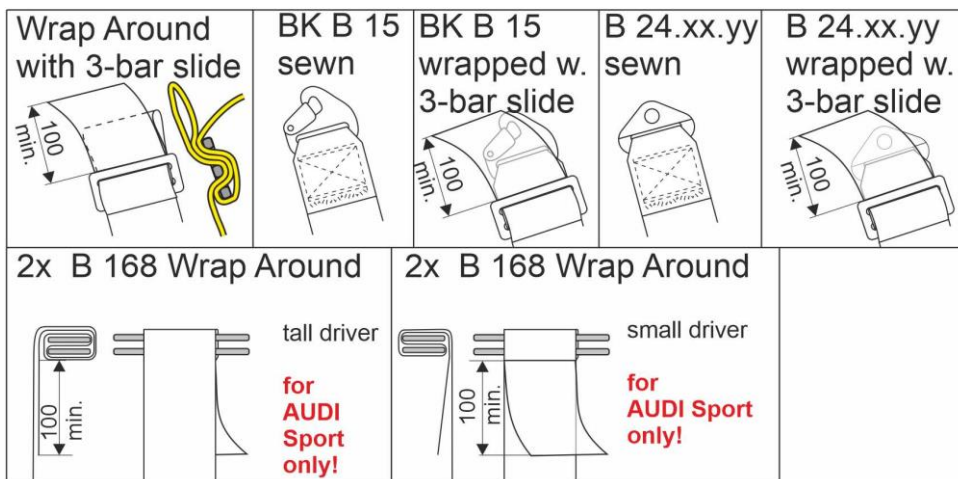
<p>B 24.xx.yy sewn</p>	<p>B 154 sewn</p>	<p>B 23 A sewn</p>	<p>B 43 A sewn</p>	<p>BK B 15 wrapped w. 3-bar slide</p>
----------------------------	-----------------------	------------------------	------------------------	---

**ALTERNATIVE ATTACHMENT - SHOULDER STRAP**

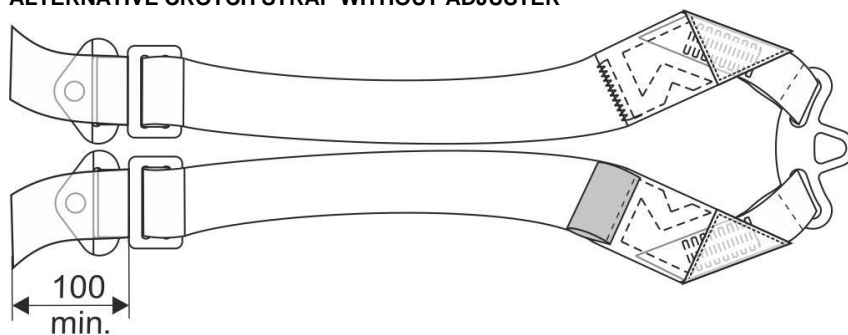
Marque **SCHROTH SAFETY PRODUCTS**  
 Make **GMBH**

Modèle **ENDURO 3X2**  
 Model **(6-POINT HARNESS BELT WITH 3" SHOULDER BELTS AND WITH 2" PELVIC STRAPS)**

**SH.022.17-T-6**



**ALTERNATIVE CROTCH STRAP WITHOUT ADJUSTER**



Marque  
Make

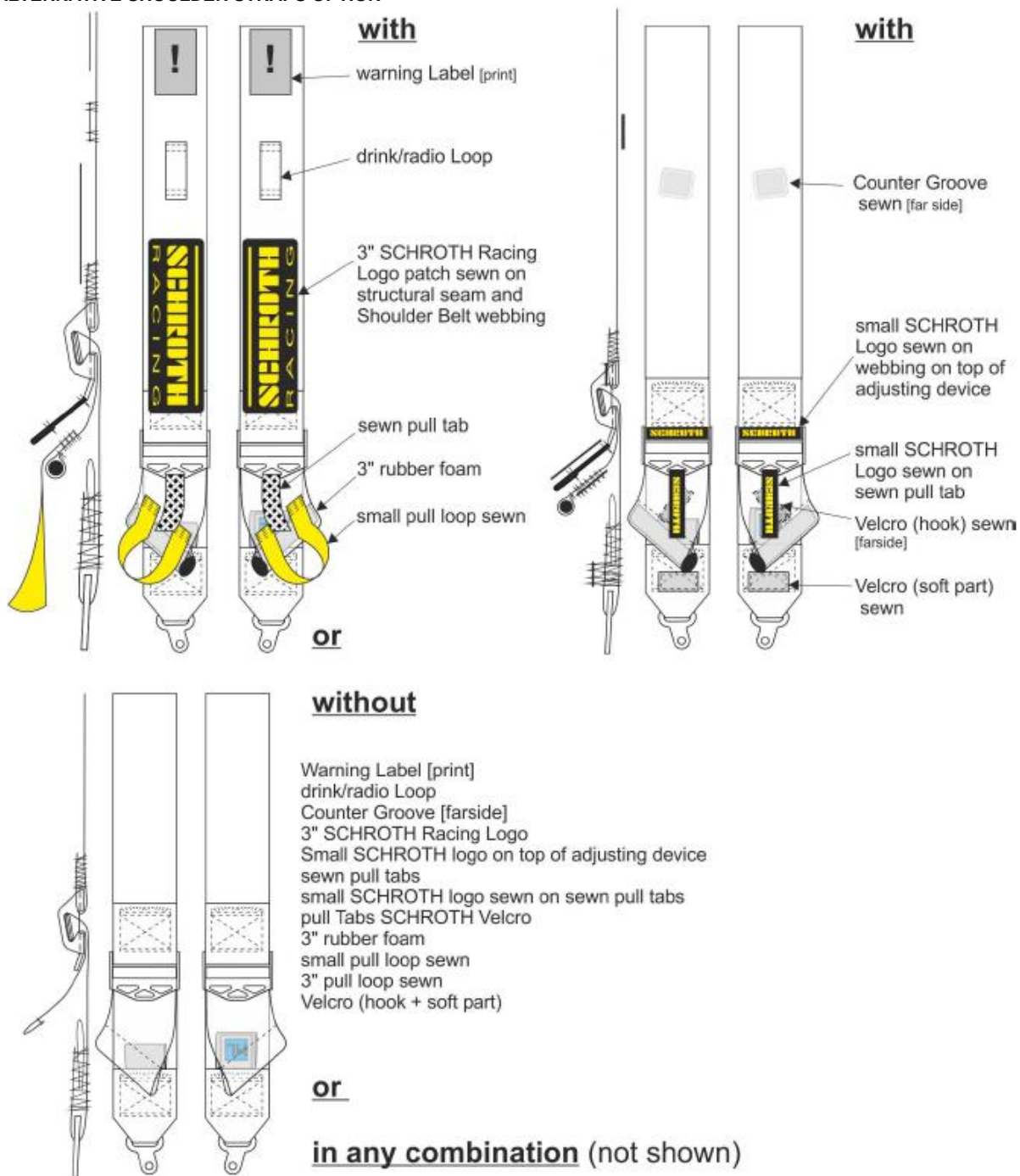
SCHROTH SAFETY PRODUCTS  
GMBH

Modèle  
Model

ENDURO 3X2  
(6-POINT HARNESS BELT WITH 3"  
SHOULDER BELTS AND WITH 2"  
PELVIC STRAPS)

SH.022.17-T-6

### ALTERNATIVE SHOULDER STRAPS OPTION



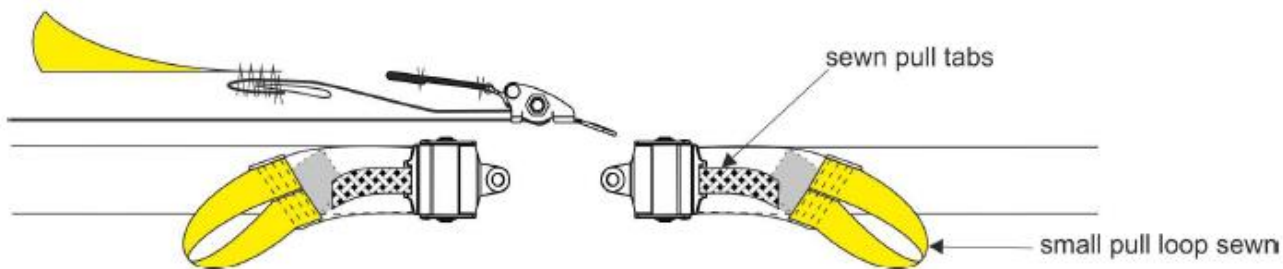
Marque  
Make SCHROTH SAFETY PRODUCTS  
GMBH

Modèle  
Model

ENDURO 3X2  
(6-POINT HARNESS BELT WITH 3"  
SHOULDER BELTS AND WITH 2"  
PELVIC STRAPS)

**SH.022.17-T-6**

ALTERNATIVE PELVIC STRAP OPTION



ALTERNATIVE PELVIC STRAP ADJUSTER WITH TONGUE

