



# FEDERATION INTERNATIONALE DE L'AUTOMOBILE

Homologation N°

**SH.020.17-T-6**

Date

22.11.2017

FICHE DE PRESENTATION DES HARNAIS DE SECURITE (NORME FIA 8853-2016)  
PRESENTATION FORM FOR SAFETY HARNESSSES (FIA STANDARD 8853-2016)

## 1. GENERALITES / GENERAL

### 101. CONSTRUCTEUR / MANUFACTURER

**SCHROTH SAFETY PRODUCTS GMBH**

- a) Adresse  
Address **IM OHL 14, 59757 ARNSBERG / GERMANY**
- b) Téléphone  
Phone **+49 2932 9742 0**
- c) E-mail  
E-mail **GERMANY@EU.SCHROTH.COM**

### 102. PHOTO DU HARNAIS COMPLET / PICTURE OF THE COMPLETE HARNESS



### 103. MODELE DU HARNAIS / HARNESS MODEL

- a) Modèle  
Model **CLUBMAN 3X2**
- (6-POINT HARNESS BELT WITH 3" SHOULDER BELTS AND WITH 2" PELVIC STRAPS)**

Marque  
Make

SCHROTH SAFETY PRODUCTS  
GMBH

Modèle  
Model

CLUBMAN 3X2  
(6-POINT HARNESS BELT WITH 3"  
SHOULDER BELTS AND WITH 2"  
PELVIC STRAPS)

**SH.020.17-T-6**

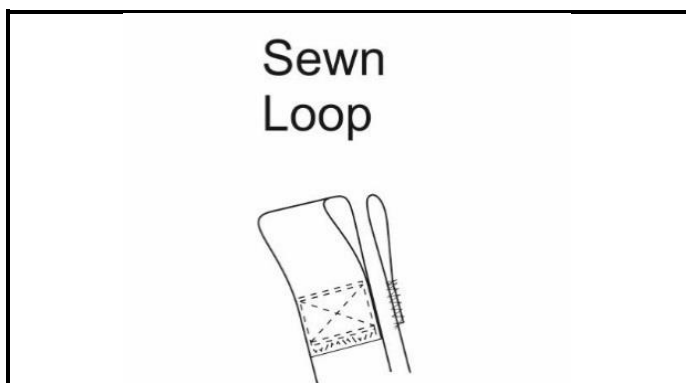
## 2. DETAILS DU HARNAIS / DETAILS OF HARNESS

### 201. SANGLES / STRAPS

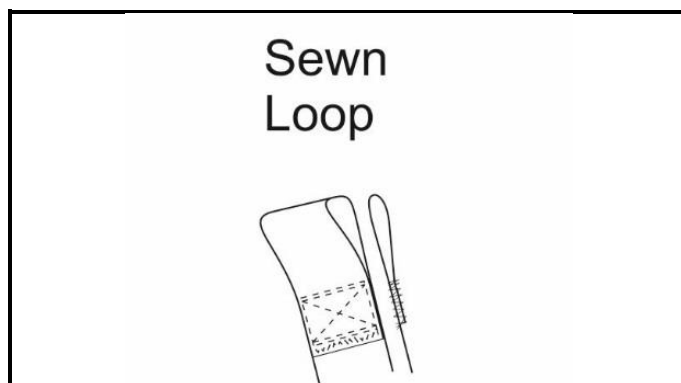
	Matériau Material	Largeur Width (mm)	Position Position
			<b>shoulder straps</b>
201.01 <b>GU 19.10.x</b> (x=colour key)	polyester	3"	
201.02 <b>GU 10.7.x</b> (x=colour key)	polyester	1"	<b>crotch strap loops</b>
201.03 <b>GU 11.6.x</b> (x=colour key)	polyester	2"	<b>crotch straps</b> <b>pelvic straps</b>
201.04			
201.05			
201.06			

### 202. VUES DES PIÈCES DE FIXATION/ ATTACHMENTS VIEWS

A1-1) Position / Position : **right shoulder strap**



A1-2) Position / Position : **left shoulder strap**



Marque **SCHROTH SAFETY PRODUCTS**  
Make **GMBH**

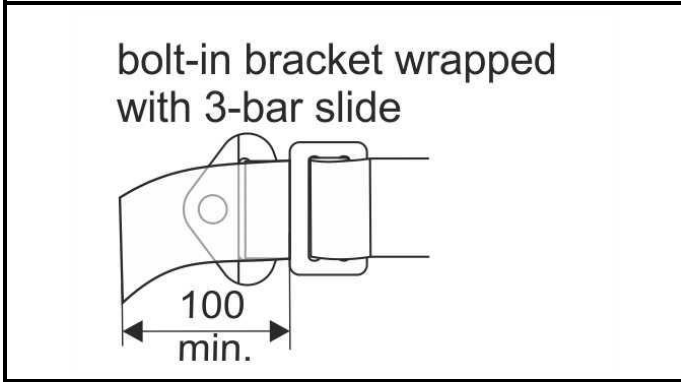
Modèle  
Model

**CLUBMAN 3X2**  
**(6-POINT HARNESS BELT WITH 3"**  
**SHOULDER BELTS AND WITH 2"**  
**PELVIC STRAPS)**

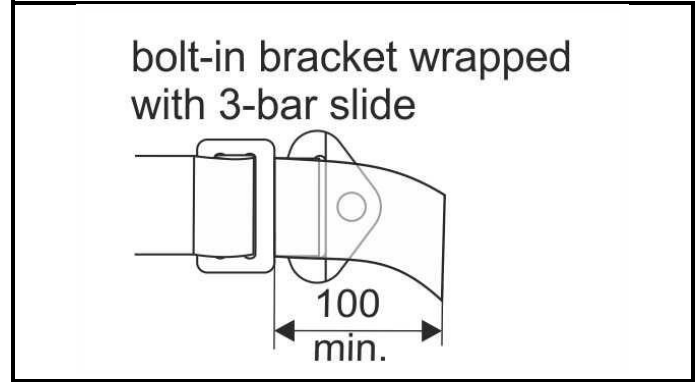
Homologation N°

**SH.020.17-T-6**

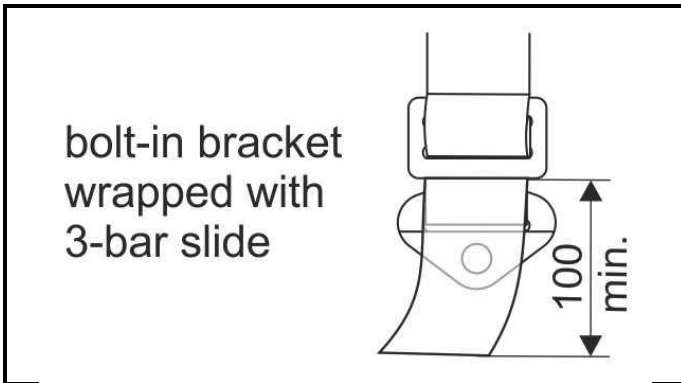
A1-3) Position / Position : right pelvic strap



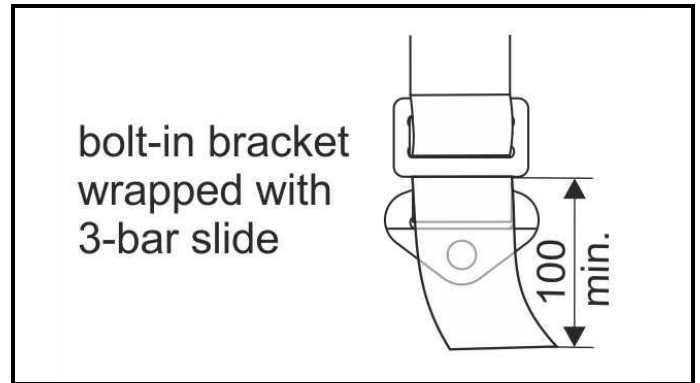
A1-4) Position / Position : left pelvic strap



A1-5) Position / Position : right crotch strap

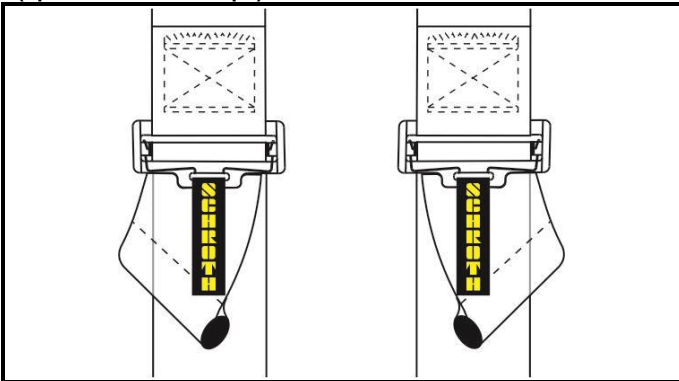


A1-6) Position / Position : left crotch strap

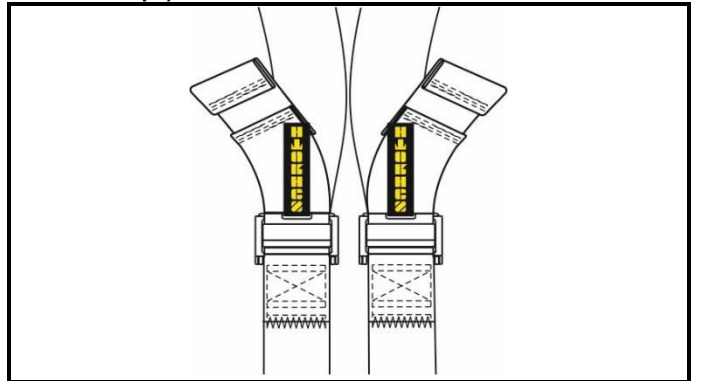


**203. VUES DES DISPOSITIFS DE REGLAGE/ ADJUSTING DEVICES VIEWS**

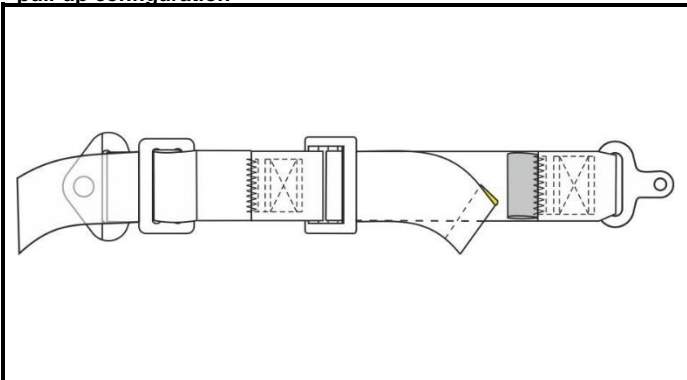
A2-1) Position / Position : 3" right and left shoulder straps (optional release straps)



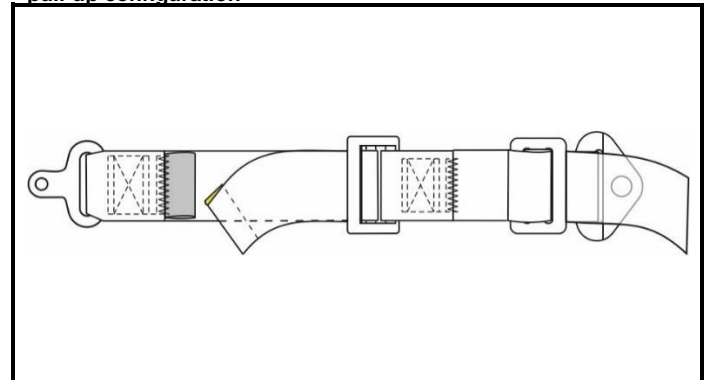
A2-2) Position / Position : 2" right and left crotch straps (optional release straps)



A2-3) Position / Position : 2" right pelvic strap pull-up configuration



A2-4) Position / Position : 2" left pelvic strap pull-up configuration



Marque **SCHROTH SAFETY PRODUCTS**  
Make **GMBH**

Modèle **CLUBMAN 3X2**  
Model **(6-POINT HARNESS BELT WITH 3"  
SHOULDER BELTS AND WITH 2"  
PELVIC STRAPS)**

Homologation N°

**SH.020.17-T-6**

**204. BOUCLE / BUCKLE**

204.1 Boucle à libération complète / Full release buckle Material

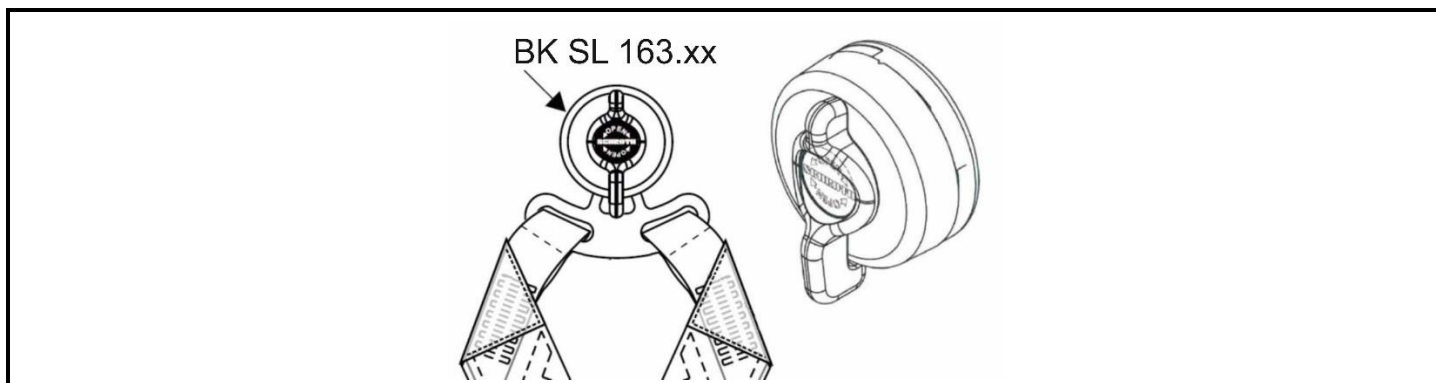
Oui / Yes



Non / No



A3-1) Vue de la boucle / Buckle view



**3. ETIQUETTES D'HOMOLOGATION ET DE IDENTIFICATION / HOMOLOGATION AND IDENTIFICATION LABELS**

**301. ETIQUETTES / LABELS**

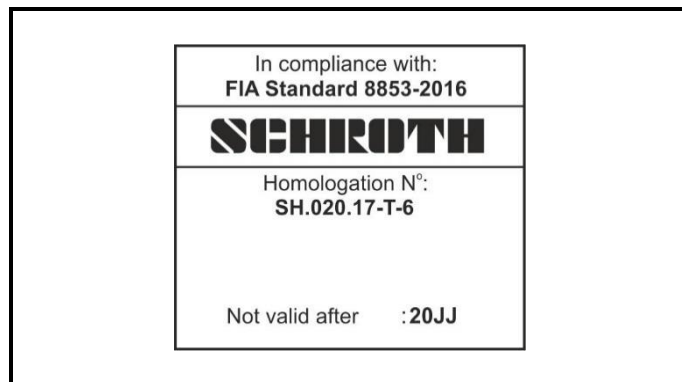
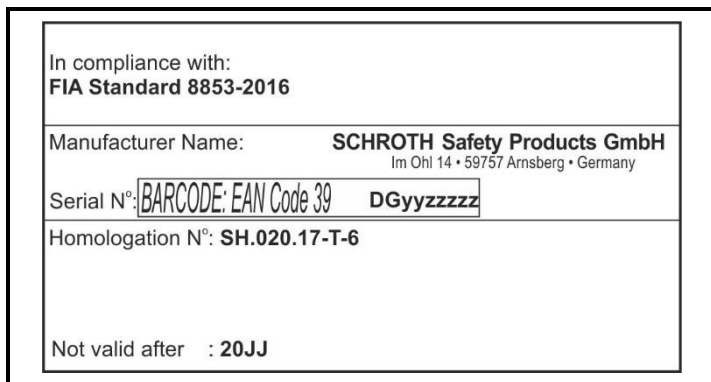
a) Dimensions [mm]  
Dimensions [mm]

Etiquette d'homologation  
Homologation label  
height 44 x width 84 (+stitching areas)

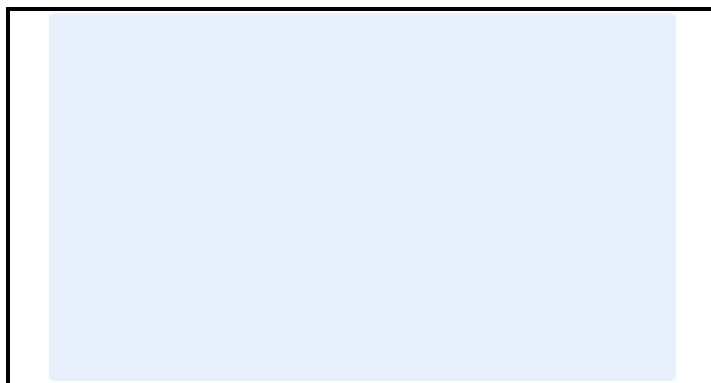
Etiquette d'identification  
Identification label  
height 40 (+ stitching areas) x width 44

B1-1) Etiquette d'homologation et autocollant FIA cousus sur le harnais  
Homologation label and FIA sticker stitched on the harness

B1-2) Etiquette d'homologation cousus sur le harnais  
Homologation label stitched on the harness



B1-3) Marquages pour boucle a libération complète  
Full release buckle marking



Marque  
Make

SCHROTH SAFETY PRODUCTS  
GMBH

Modèle  
Model

CLUBMAN 3X2  
(6-POINT HARNESS BELT WITH 3"  
SHOULDER BELTS AND WITH 2"  
PELVIC STRAPS)

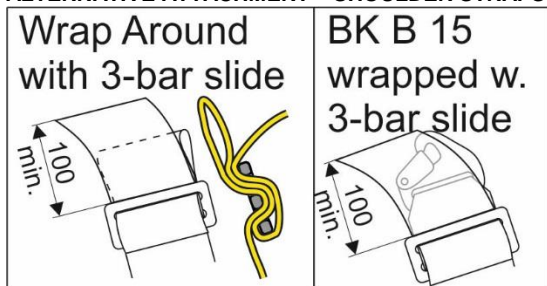
**SH.020.17-T-6**

## INFORMATIONS COMPLEMENTAIRES / COMPLEMENTARY INFORMATION

### OPTIONAL PULL-TAB ON ADJUSTERS (with velcro)



### ALTERNATIVE ATTACHMENT – SHOULDER STRAPS



### ALTERNATIVE ATTACHMENT – PELVIC AND CROTCH STRAPS



### ALTERNATIVE CROTCH STRAP WITHOUT ADJUSTER

