



# FEDERATION INTERNATIONALE DE L'AUTOMOBILE

Homologation N°

**SH.013.17-T-6**

Date

22.12.2017

**FICHE DE PRESENTATION DES HARNAIS DE SECURITE (NORME FIA 8853-2016)  
PRESENTATION FORM FOR SAFETY HARNESSSES (FIA STANDARD 8853-2016)**

## 1. GENERALITES / GENERAL

### 101. CONSTRUCTEUR / MANUFACTURER

**SCHROTH SAFETY PRODUCTS GMBH**

- a) Adresse  
Address **IM OHL 14, 59757 ARNSBERG / GERMANY**
- b) Téléphone  
Phone **+49 2932 9742 0**
- c) E-mail  
E-mail **GERMANY@EU.SCHROTH.COM**

### 102. PHOTO DU HARNAIS COMPLET / PICTURE OF THE COMPLETE HARNESS



### 103. MODELE DU HARNAIS / HARNESS MODEL

- a) Modèle  
Model **FORMULA 2X2**

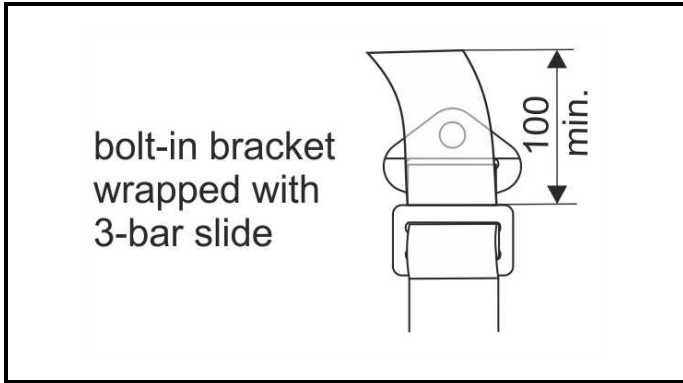
**2. DETAILS DU HARNAIS / DETAILS OF HARNESS**

**201. SANGLES / STRAPS**

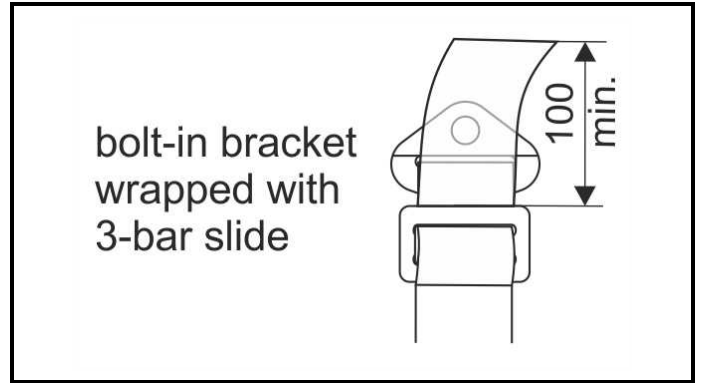
	Matériau Material	Largeur Width (mm)	Position Position
201.01 GU 11.6.x (x=colour key)	polyester	2"	shoulder straps pelvic straps crotch straps
201.02 GU 10.7.x (x=colour key)	polyester	1"	crotch strap loops crotch strap loop guides
201.03			
201.04			
201.05			
201.06			

202. VUES DES PIÈCES DE FIXATION/ ATTACHMENTS VIEWS

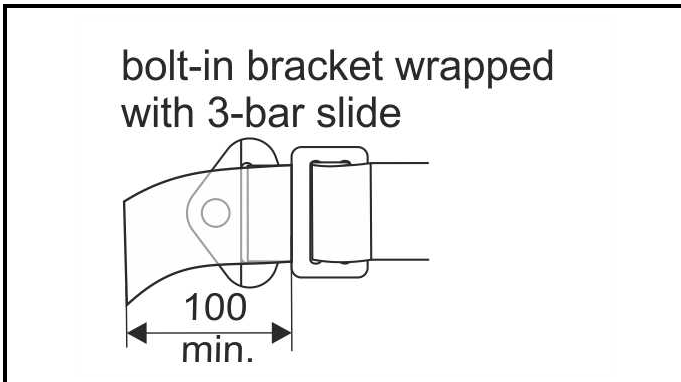
A1-1) Position / Position : right shoulder strap



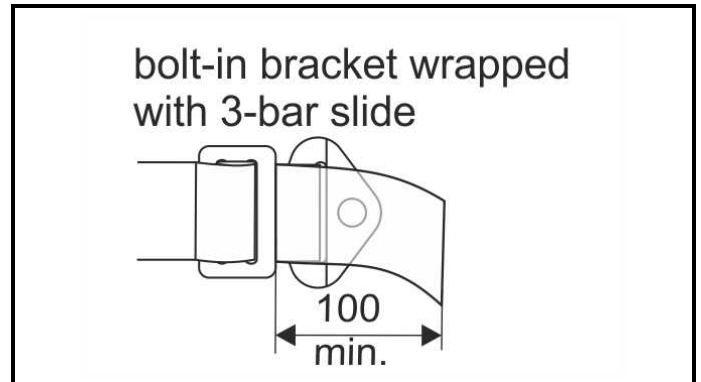
A1-2) Position / Position : left shoulder strap



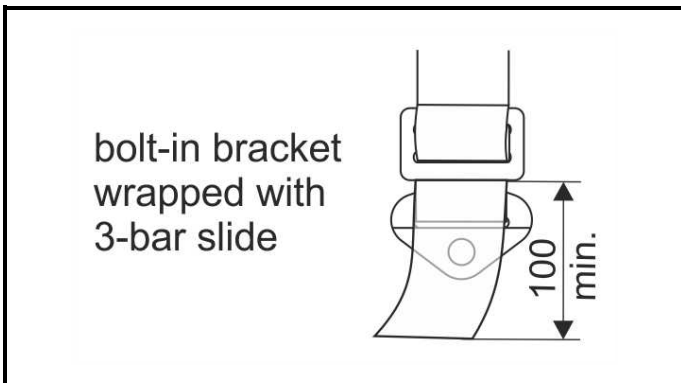
A1-3) Position / Position : right pelvic strap



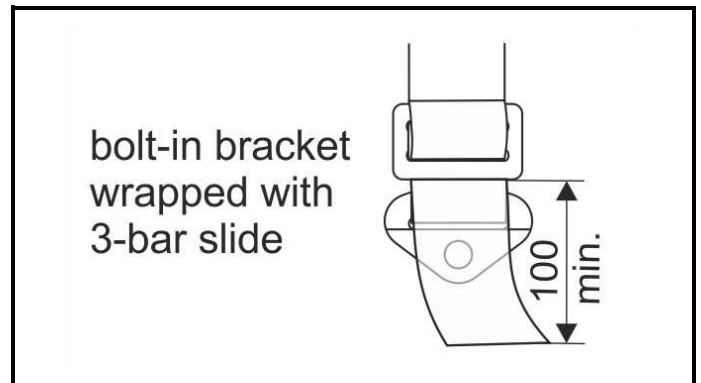
A1-4) Position / Position : left pelvic strap



A1-5) Position / Position : right crotch strap

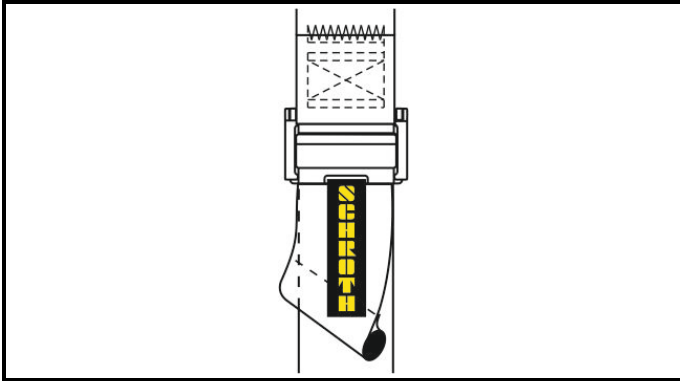


A1-6) Position / Position : left crotch strap

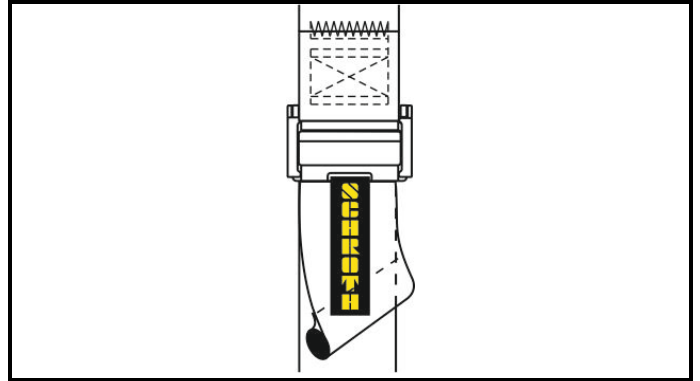


203. VUES DES DISPOSITIFS DE REGLAGE/ ADJUSTING DEVICES VIEWS

A2-1) Position / Position : 2" right shoulder (optional release strap)



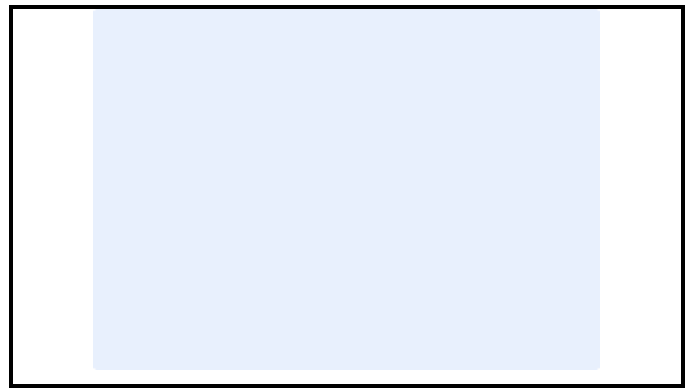
A2-2) Position / Position : 2" left shoulder (optional release strap)



A2-3) Position / Position :



A2-4) Position / Position :



204. BOUCLE / BUCKLE

204.1 Boucle à libération complète / Full release buckle

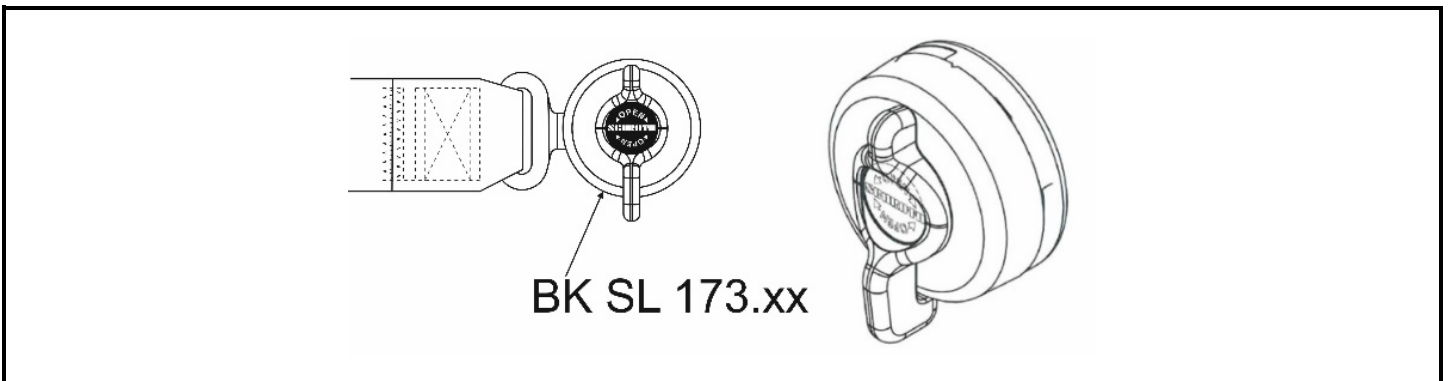
Oui / Yes



Non / No



A3-1) Vue de la boucle / Buckle view



Marque  
Make **SCHROTH SAFETY PRODUCTS  
GMBH**

Modèle  
Model **FORMULA 2X2**

Homologation N°

**SH.013.17-T-6**

### 3. ETIQUETTES D'HOMOLOGATION ET DE IDENTIFICATION / *HOMOLOGATION AND IDENTIFICATION LABELS*

#### 301. ETIQUETTES / *LABELS*

	Etiquette d'homologation <i>Homologation label</i>	Etiquette d'identification <i>Identification label</i>
a) Dimensions [mm] <i>Dimensions [mm]</i>	height 44 x width 84 (+stitching areas)	height 40 (+ stitching areas) x width 44

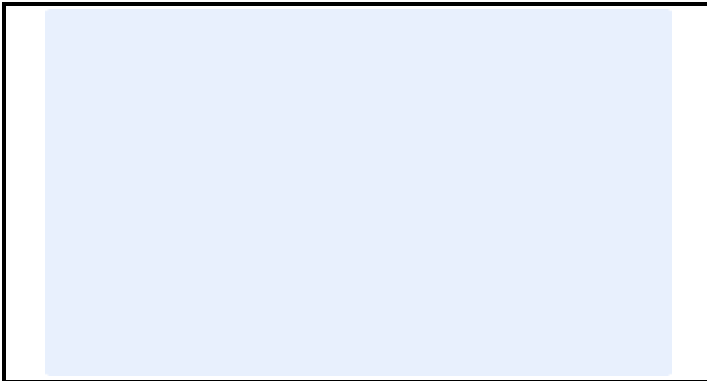
B1-1) Etiquette d'homologation et autocollant FIA cousus sur le harnais  
*Homologation label and FIA sticker stitched on the harness*

B1-2) Etiquette d'homologation cousus sur le harnais  
*Homologation label stitched on the harness*

In compliance with: <b>FIA Standard 8853-2016</b>	
Manufacturer Name:	<b>SCHROTH Safety Products GmbH</b> Im Ohl 14 • 59757 Arnsberg • Germany
Serial N°:	<b>BARCODE: EAN Code 39 DByzzzzz For FHR use only</b>
Homologation N°: <b>SH.013.17-T-6</b>	
Not valid after : <b>20JJ</b>	

In compliance with: FIA Standard 8853-2016	In compliance with: FIA Standard 8853-2016
<b>SCHROTH</b>	<b>SCHROTH</b>
Homologation N°: SH.013.17-T-6	Homologation N°: SH.013.17-T-6
For FHR use only Not valid after : <b>20JJ</b>	Not valid after : <b>20JJ</b>
For right shoulder straps	For pelvic and crotch straps

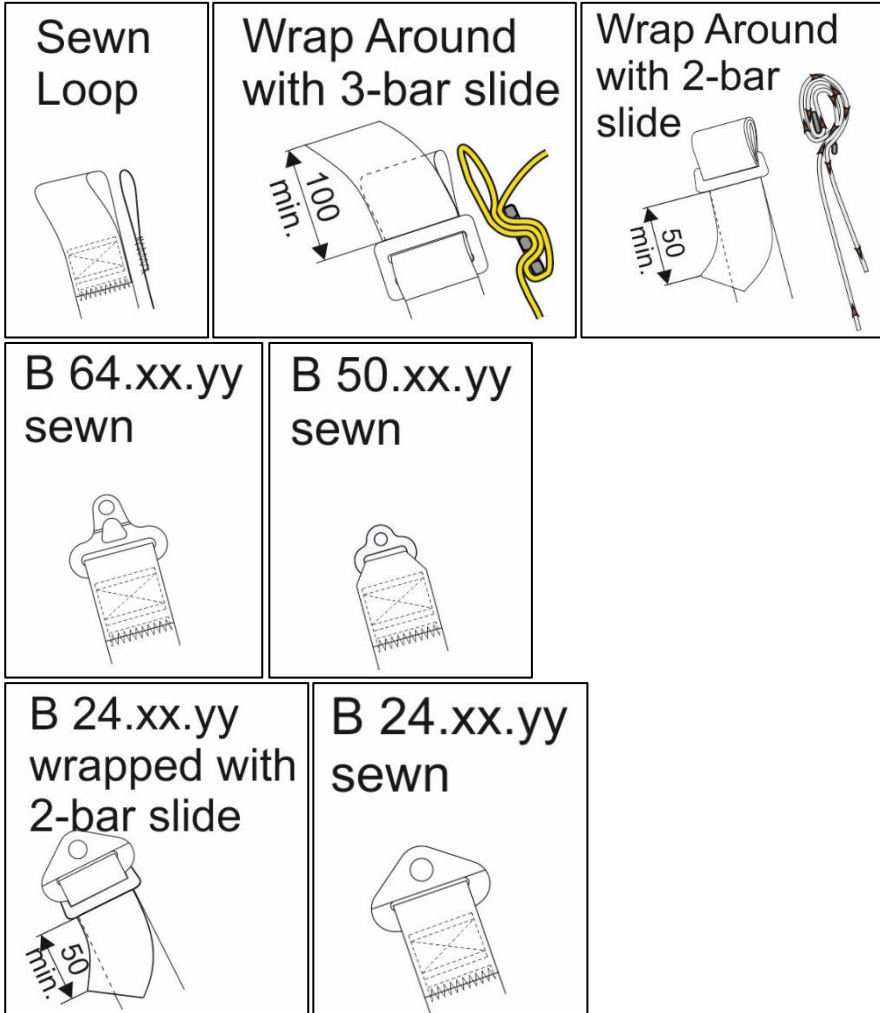
B1-3) Marquages pour boucle a libération complète  
*Full release buckle marking*



INFORMATIONS COMPLEMENTAIRES / COMPLEMENTARY INFORMATION

ALTERNATIVE ATTACHMENTS

ALL APPLICABLE TO SHOULDER, PELVIC OR CROTCH STRAPS



ALTERNATIVE BUCKLE – BK SL 163.xx



ALTERNATIVE ADJUSTER ON PELVIC STRAPS



Marque  
Make

SCHROTH SAFETY PRODUCTS  
GMBH

Modèle  
Model

FORMULA 2X2

Homologation N°

**SH.013.17-T-6**

**ALTERNATIVE STRUCTURAL SEAM (reinforced) – CROTCH STRAPS**

