



FEDERATION INTERNATIONALE  
DE L'AUTOMOBILE

Homologation N°

**SH.007.16-T-6**

Date

18.06.2020

FICHE DE PRESENTATION DES HARNAIS DE SECURITE (NORME FIA 8853-2016)  
PRESENTATION FORM FOR SAFETY HARNESSSES (FIA STANDARD 8853-2016)

**1. GENERALITES / GENERAL**

**101. CONSTRUCTEUR / MANUFACTURER**

**SCHROTH SAFETY PRODUCTS GMBH**

- a) Adresse  
Address IM OHL 14, 59757 ARNSBERG / GERMANY
- b) Téléphone  
Phone +49 2932 9742 0
- c) E-mail  
E-mail GERMANY@SCHROTH.COM

**102. PHOTO DU HARNAIS COMPLET / PICTURE OF THE COMPLETE HARNESS**



**103. MODELE DU HARNAIS / HARNESS MODEL**

- a) Modèle  
Model **PROFI 2x2**
- (6-POINT HARNESS BELT WITH 2" SHOULDER BELTS FOR FHR USE ONLY WITH PELVIC STRAPS IN PULL-DOWN OR PULL-UP CONFIGURATION)**

Marque  
Make

SCHROTH SAFETY PRODUCTS GMBH

Modèle  
Model

PROFI 2x2

SH.007.16-T-6

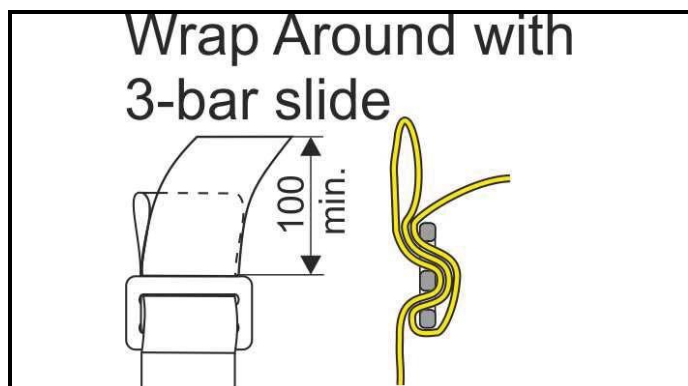
## 2. DETAILS DU HARNAIS / DETAILS OF HARNESS

### 201. SANGLES / STRAPS

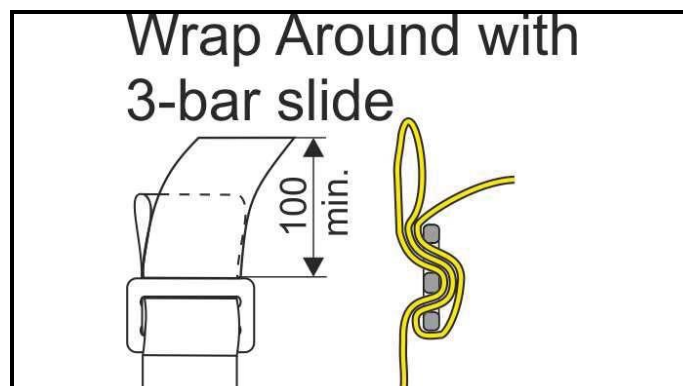
	Matériau Material	Largeur Width (mm)	Position Position
201.01 <b>GU 11.6.x</b> (x=colour key)	polyester	2"	shoulder straps pelvic straps crotch straps
201.02 <b>GU 10.7.0</b>	polyester, black	1"	crotch strap loops at T-bar
201.03			
201.04			
201.05			
201.06			

### 202. VUES DES PIÈCES DE FIXATION / ATTACHMENTS VIEWS

A1-1) Position / Position : right shoulder strap



A1-2) Position / Position : left shoulder strap



Marque  
Make

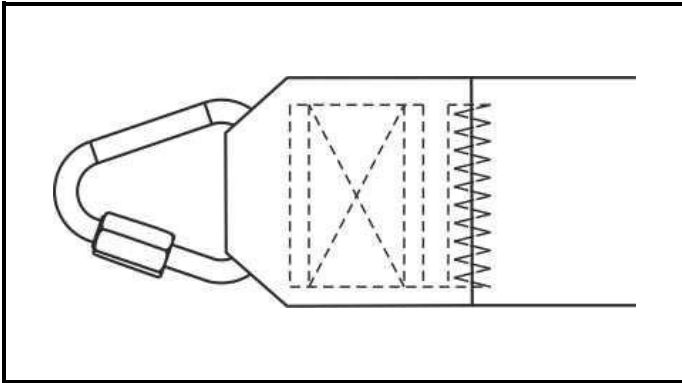
SCHROTH SAFETY PRODUCTS GMBH

Modèle  
Model

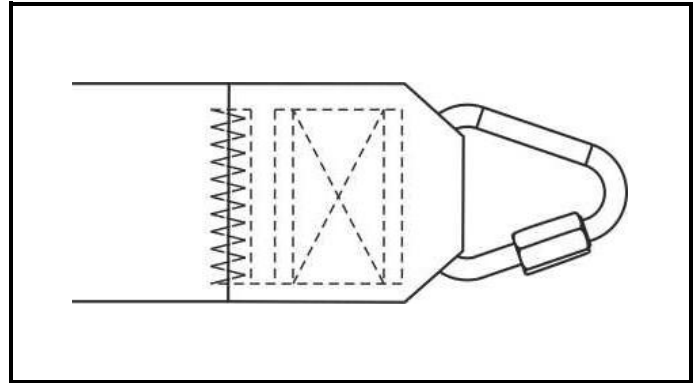
PROFI 2x2

SH.007.16-T-6

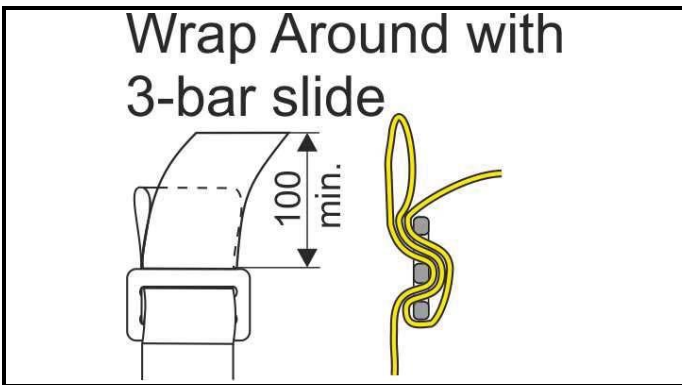
A1-3) Position / Position : right pelvic strap



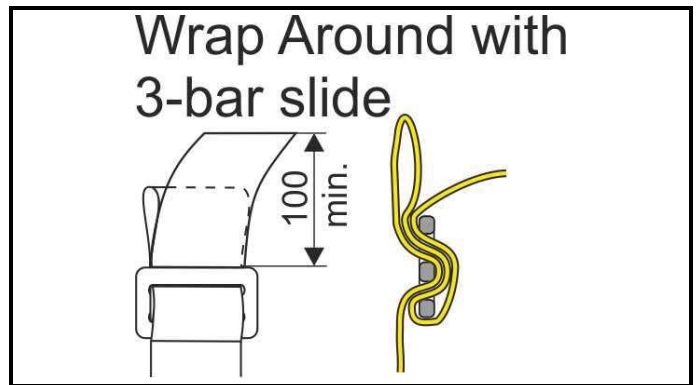
A1-4) Position / Position : left pelvic strap



A1-5) Position / Position : right crotch strap

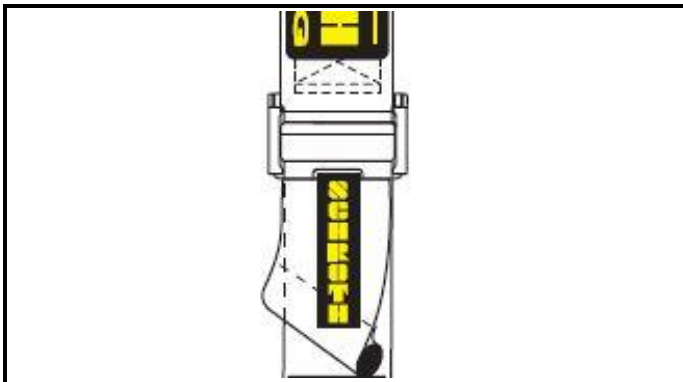


A1-6) Position / Position : left crotch strap

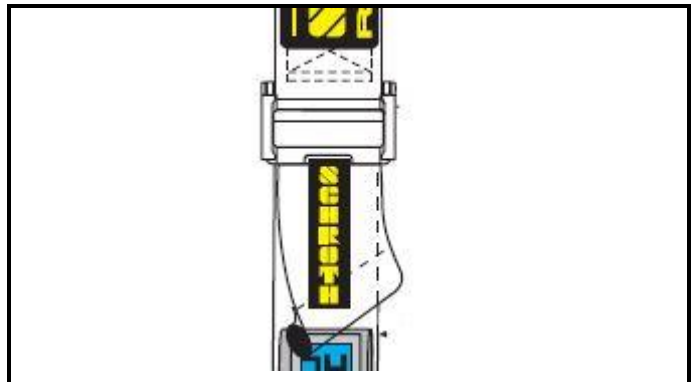


**203. VUES DES DISPOSITIFS DE REGLAGE/ ADJUSTING DEVICES VIEWS**

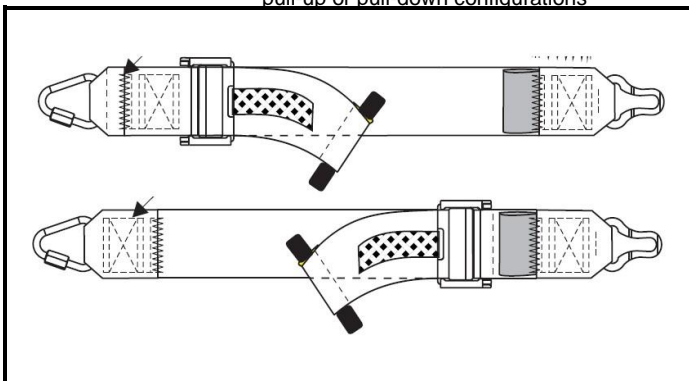
A2-1) Position / Position : 2" right shoulder (optional release strap)



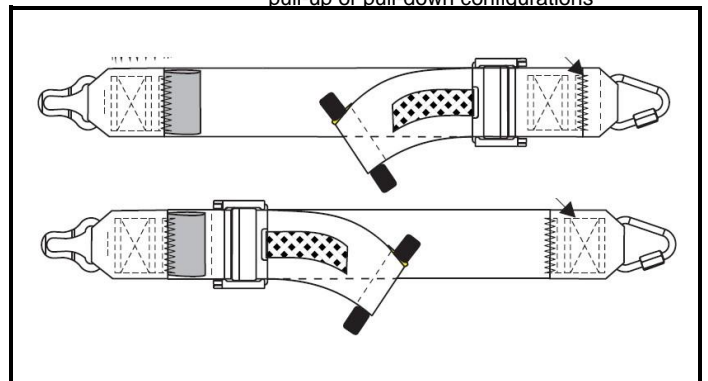
A2-2) Position / Position : 2" left shoulder (optional release strap)



A2-3) Position / Position : 2" right pelvic adjuster (opt release strap) pull-up or pull-down configurations



A2-4) Position / Position : 2" left pelvic adjuster (opt release strap) pull-up or pull-down configurations



Marque  
Make

SCHROTH SAFETY PRODUCTS GMBH

Modèle  
Model

PROFI 2x2

**SH.007.16-T-6**

**204. BOUCLE / BUCKLE**

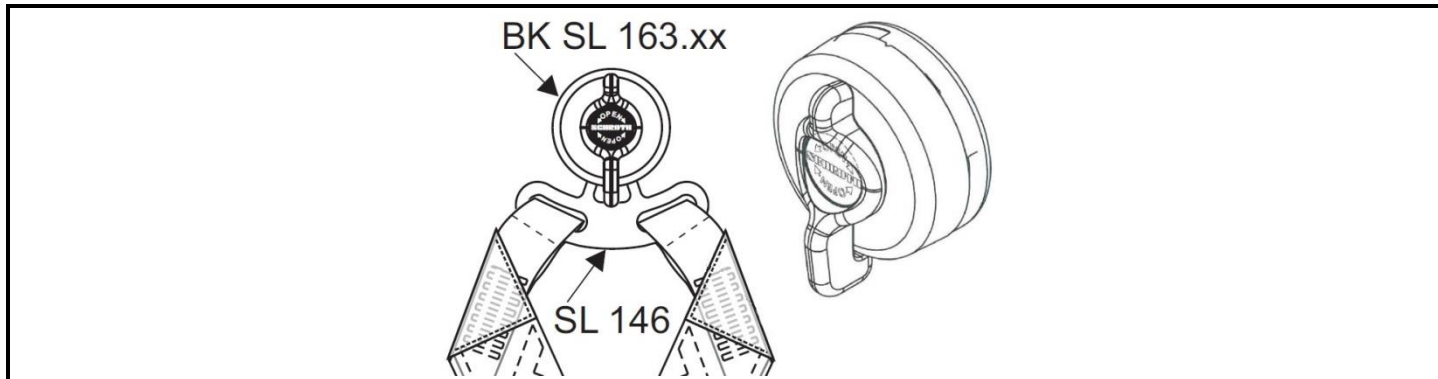
204.1 Boucle à libération complète / Full release buckle Material

Oui / Yes

Non / No



A3-1) Vue de la boucle / Buckle view



**3. ETIQUETTES D'HOMOLOGATION ET DE IDENTIFICATION / HOMOLOGATION AND IDENTIFICATION LABELS**

**301. ETIQUETTES / LABELS**

a) Dimensions [mm]  
Dimensions [mm]

Etiquette d'homologation  
Homologation label

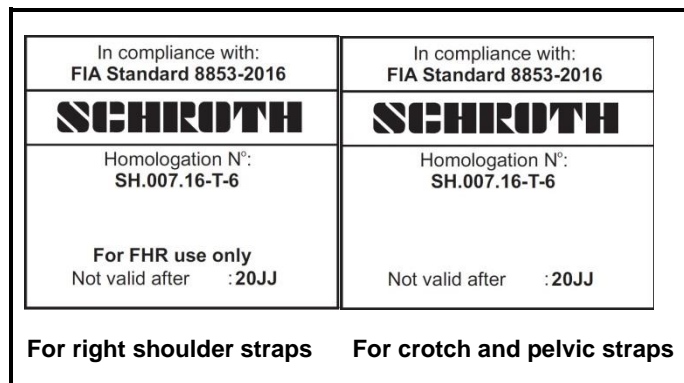
height 44 x width 84 (+ stitching areas)

Etiquette d'identification  
Identification label

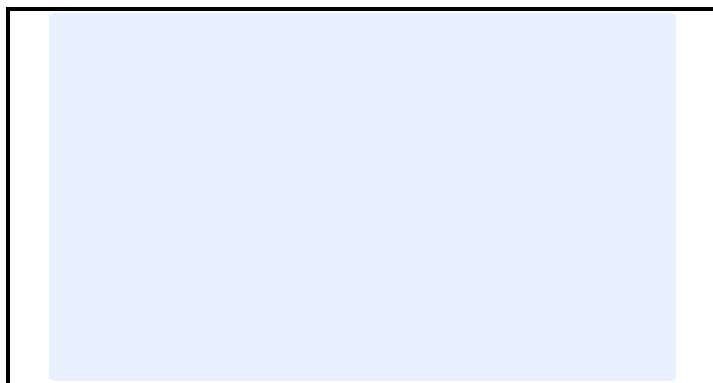
height 40 (+ stitching areas) x width 44

B1-1) Etiquette d'homologation et autocollant FIA cousus sur le harnais  
Homologation label and FIA sticker stitched on the harness

B1-2) Etiquette d'homologation cousus sur le harnais  
Homologation label stitched on the harness



B1-3) Marquages pour boucle a libération complète  
Full release buckle marking



Marque  
Make

SCHROTH SAFETY PRODUCTS GMBH

Modèle  
Model

PROFI 2x2

SH.007.16-T-6

INFORMATIONS COMPLEMENTAIRES / COMPLEMENTARY INFORMATION

**Alternative attachment for shoulder and crotch straps**

Wrap Around with  
2-bar slide



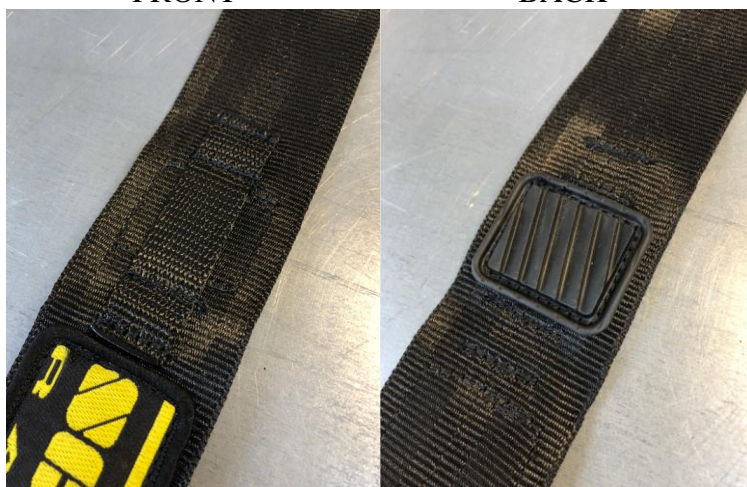
**Alternative buckle BK SL 173.xx**



**Shoulder upper belt – accessory (always present)**

FRONT

BACK





Marque  
Make

SCHROTH SAFETY PRODUCTS GMBH

Modèle  
Model

PROFI 2x2

SH.007.16-T-6

**Pelvic strap – Alternative version without adjuster is approved**



**Serial Number (Bar Code) sticker placed on the homologation label.**

**FIA Label Information:**  
additional Barcode with serial number  
on self-destructing label (sticker):  
length: 45 mm, height: 5 mm

