



FEDERATION INTERNATIONALE  
DE L'AUTOMOBILE

Homologation N°

**SH.001.16-T-6**

Date

22.07.2022

FICHE DE PRESENTATION DES HARNAIS DE SECURITE (NORME FIA 8853-2016)  
PRESENTATION FORM FOR SAFETY HARNESSSES (FIA STANDARD 8853-2016)

**1. GENERALITES / GENERAL**

**101. CONSTRUCTEUR / MANUFACTURER**

**SABELT S.P.A.**

- a) Adresse  
Address VIA G. ROSSA, 10 - 10024 MONCALIERI (TO) - ITALY
- b) Téléphone  
Phone +39 011 6477911
- c) E-mail  
E-mail INFO@SABELT.COM

**102. PHOTO DU HARNAIS COMPLET / PICTURE OF THE COMPLETE HARNESS**



**103. MODELE DU HARNAIS / HARNESS MODEL**

- a) Modèle  
Model NEW SPEC SALOON

Marque  
Make

SABELT

Modèle  
Model

NEW SPEC SALOON

Homologation N°

**SH.001.16-T-6**

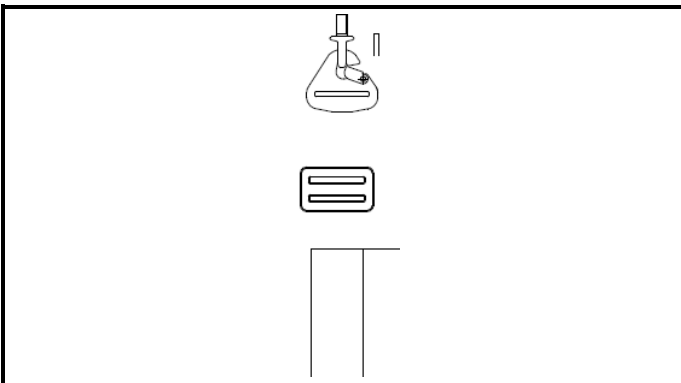
## 2. DETAILS DU HARNAIS / DETAILS OF HARNESS

### 201. SANGLES / STRAPS

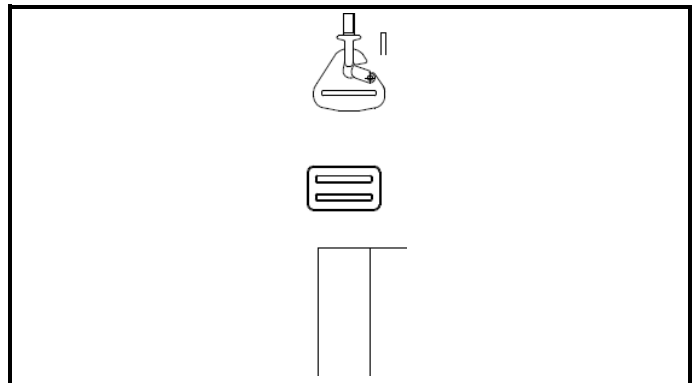
	Matériau Material	Largeur Width (mm)	Position Position
201.01 420002B	100% Polyester	50±1,5	Sangles d'épaules du haut du corps / Shoulder body top strap
201.02 420002B	100% Polyester	50±1,5	Sangles d'épaules inférieures / Shoulder bottom straps
201.03 CCNA2039	100% Polyester	50±1	Sangle pelvienne / Pelvic strap
201.04 420002B	100% Polyester	50±1,5	Sangle d'entrejambes / Crotch strap

202. VUES DES PIÈCES DE FIXATION/ ATTACHMENTS VIEWS

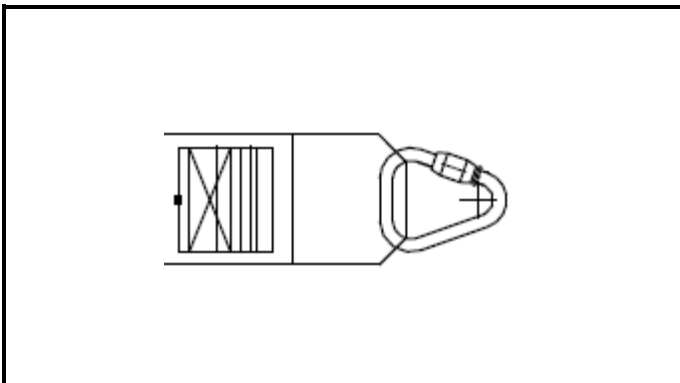
A1-1) Position / Position : left shoulder strap



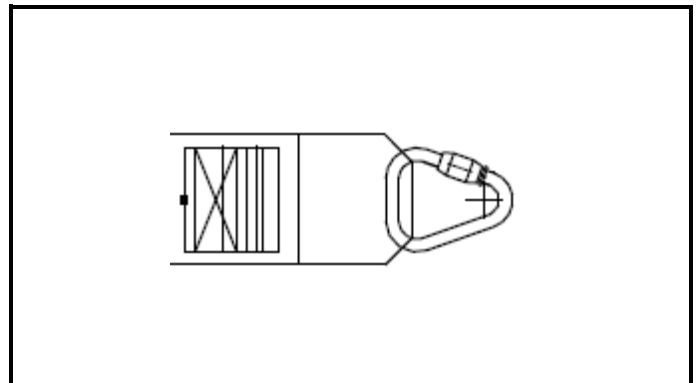
A1-2) Position / Position : right shoulder strap



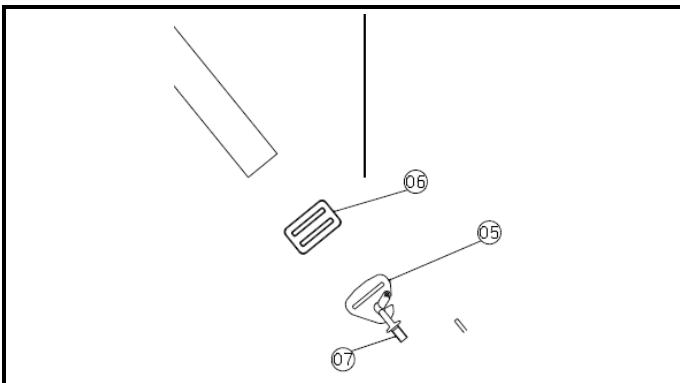
A1-3) Position / Position : left lap strap



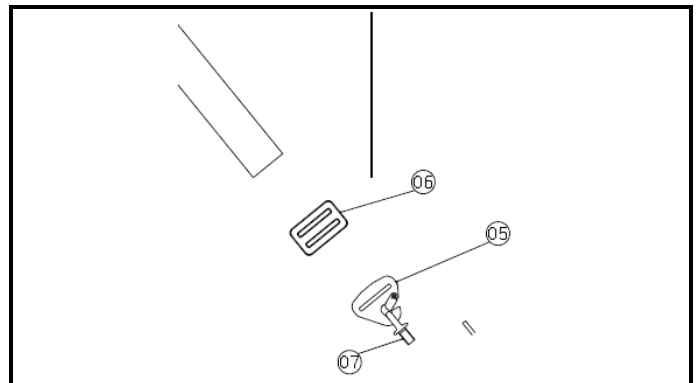
A1-4) Position / Position : right lap strap



A1-5) Position / Position : left crotch strap



A1-6) Position / Position : right crotch strap



**IT IS FORBIDDEN TO COMBINE ATTACHMENTS IN SERIES**

Marque  
Make

SABELT

Modèle  
Model

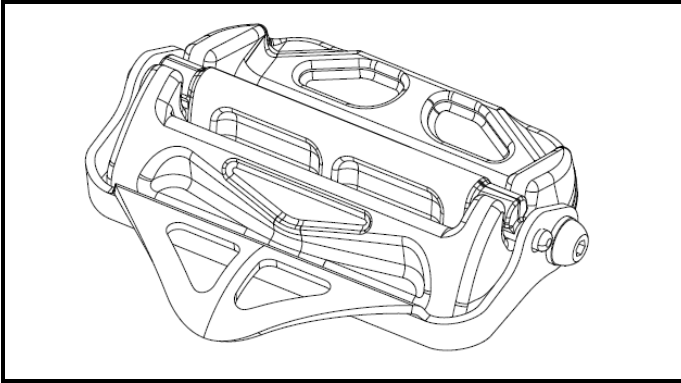
NEW SPEC SALOON

Homologation N°

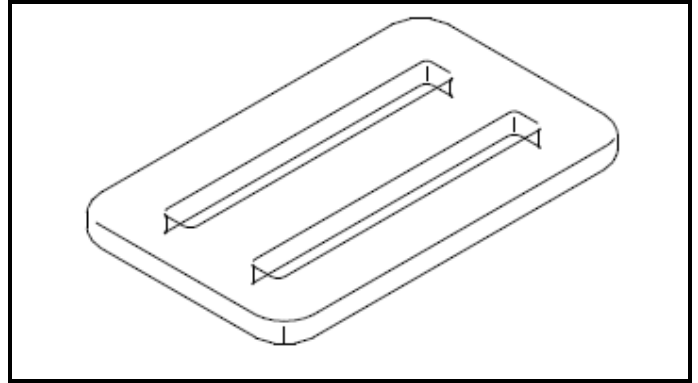
SH.001.16-T-6

**203. VUES DES DISPOSITIFS DE REGLAGE/ ADJUSTING DEVICES VIEWS**

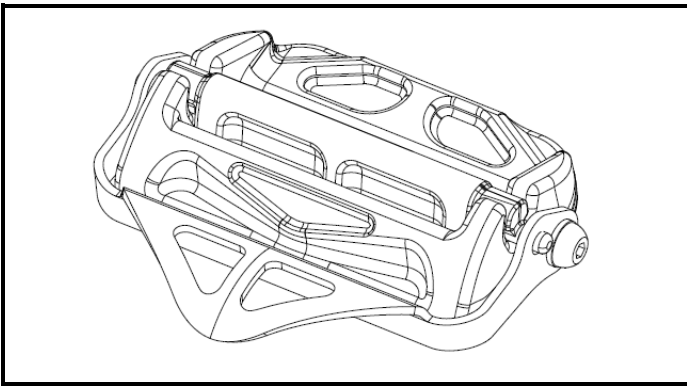
A2-1) Position / Position : **left and right shoulder body strap**



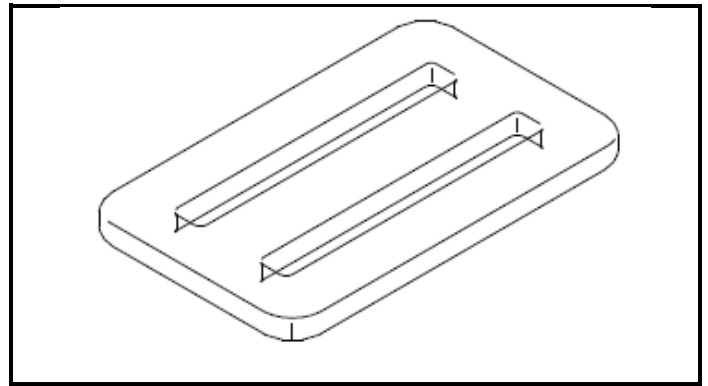
A2-2) Position / Position : **left and right Shoulder body top straps**



A2-3) Position / Position : **left and right lap strap**



A2-4) Position / Position : **left and right crotch strap**



**204. BOUCLE / BUCKLE**

204.1 Boucle à libération complète / Full release buckle Material

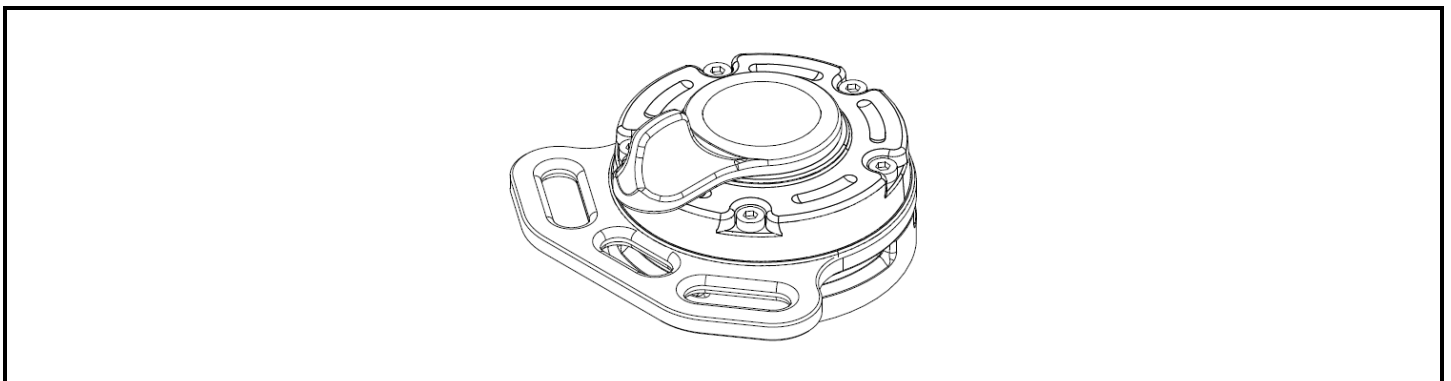
Oui / Yes



Non / No



A3-1) Vue de la boucle / Buckle view



Marque  
Make

SABELT

Modèle  
Model

NEW SPEC SALOON

Homologation N°

SH.001.16-T-6

### 3. ETIQUETTES D'HOMOLOGATION ET DE IDENTIFICATION / *HOMOLOGATION AND IDENTIFICATION LABELS*

#### 301. ETIQUETTES / *LABELS*

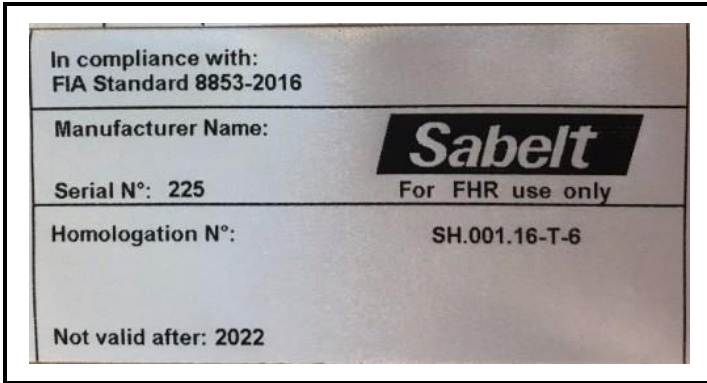
a) Dimensions [mm]  
*Dimensions [mm]*

Etiquette d'homologation  
*Homologation label*  
**44 x 84**

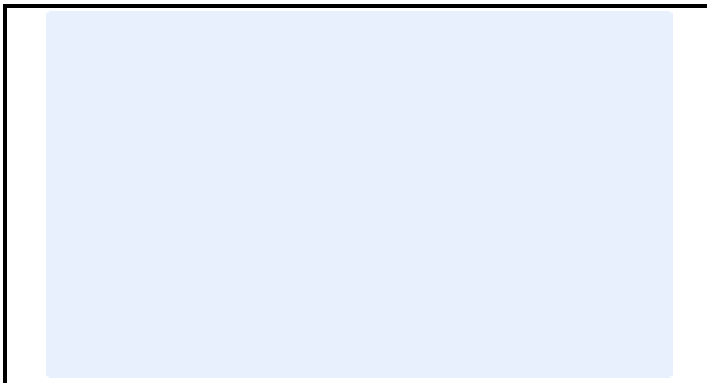
Etiquette d'identification  
*Identification label*  
**44 x 40**

B1-1) Etiquette d'homologation et autocollant FIA cousus sur le harnais  
*Homologation label and FIA sticker stitched on the harness*

B1-2) Etiquette d'homologation cousus sur le harnais  
*Homologation label stitched on the harness*



B1-3) Marquages pour boucle a libération complète  
*Full release buckle marking*

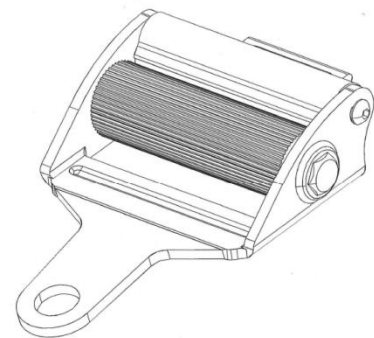


INFORMATIONS COMPLEMENTAIRES / COMPLEMENTARY INFORMATION

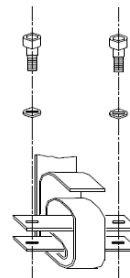
ALTERNATIVE ATTACHMENTS FOR SHOULDER, PELVIC AND CROTCH STRAPS (Stitched webbing loops)



ALTERNATIVE BUCKLE TONGUE WITH INTEGRATED ADJUSTER – PELVIC STRAPS

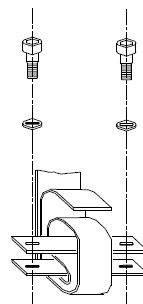


ALTERNATIVE ATTACHMENT – PELVIC STRAPS



The angle created between the strap and the surface of the attachment point must not exceed 30°.

ALTERNATIVE ATTACHMENT – CROTCH STRAPS



The angle created between the strap and the surface of the attachment point must not exceed 30°.

Marque  
Make

SABELT

Modèle  
Model

NEW SPEC SALOON

Homologation N°

SH.001.16-T-6

**ALTERNATIVE ATTACHMENT – PELVIC, SHOULDER and CROTCH STRAPS**



**ALTERNATIVE ATTACHMENT – SHOULDER and PELVIC STRAPS**



The angle created between the strap and the surface of the attachment point must not exceed 30°.

**ALTERNATIVE ATTACHMENT – PELVIC STRAPS**



The angle created between the strap and the surface of the attachment point must not exceed 30°.

**ALTERNATIVE ATTACHMENT – SHOULDER and CROTCH STRAPS**



The angle created between the strap and the surface of the attachment point must not exceed 30°.

**ALTERNATIVE ATTACHMENT – SHOULDER and CROTCH STRAPS**



Marque  
Make

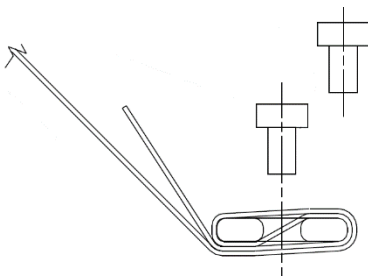
SABELT

Modèle  
Model

NEW SPEC SALOON

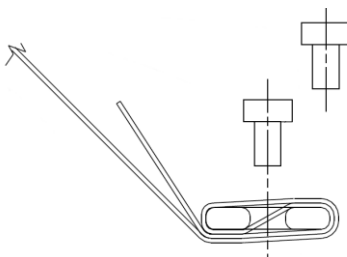
SH.001.16-T-6

**ALTERNATIVE ATTACHMENT – CROTCH STRAPS (plate thickness = 5mm)**



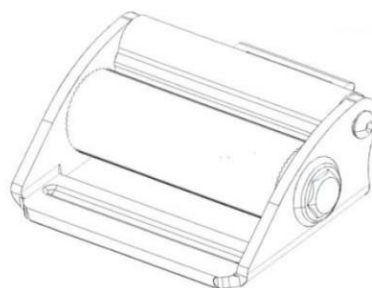
The angle created between the strap and the surface of the attachment point must not exceed 30°.

**ALTERNATIVE ATTACHMENT – PELVIC STRAPS (plate thickness = 5mm)**



The angle created between the strap and the surface of the attachment point must not exceed 30°.

**ALTERNATIVE ADJUSTER – SHOULDER and PELVIC STRAPS**

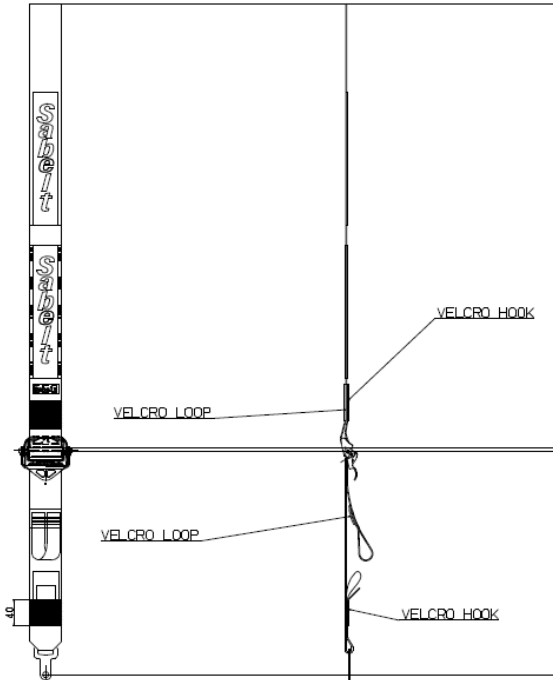


**ALTERNATIVE BUCKLE**





**VELCRO ON SHOULDER BELT (4 locations)**



**ALTERNATIVE ATTACHMENT – SHOULDER AND CROTCH STRAPS**



**ALTERNATIVE ATTACHMENT – SHOULDER AND CROTCH STRAPS**



Marque  
Make

SABELT

Modèle  
Model

NEW SPEC SALOON

Homologation N°

SH.001.16-T-6

**ALTERNATIVE ATTACHMENT – PELVIC STRAPS**



**ALTERNATIVE ADJUSTER – SHOULDER and PELVIC STRAPS**



**SHOULDER STRAP – RETENTION CABLE LOOPS (position and number of loops can vary)**



Marque  
Make

SABELT

Modèle  
Model

NEW SPEC SALOON

Homologation N°

**SH.001.16-T-6**

**ALTERNATIVE ATTACHMENT – CROTCH STRAPS**



The angle created between the strap and the surface of the attachment point must not exceed 30°.

**ALTERNATIVE ATTACHMENT – PELVIC AND CROTCH STRAPS**

