



FEDERATION INTERNATIONALE DE L'AUTOMOBILE

Homologation N°

SH.001.16-T-6

Date

27.02.2019

FICHE DE PRESENTATION DES HARNAIS DE SECURITE (NORME FIA 8853-2016)
PRESENTATION FORM FOR SAFETY HARNESSSES (FIA STANDARD 8853-2016)

1. GENERALITES / GENERAL

101. CONSTRUCTEUR / MANUFACTURER

SABELT S.P.A.

- a) Adresse
Address VIA G. ROSSA, 10 - 10024 MONCALIERI (TO) - ITALY
- b) Téléphone
Phone +39 011 6477911
- c) E-mail
E-mail INFO@SABELT.COM

102. PHOTO DU HARNAIS COMPLET / PICTURE OF THE COMPLETE HARNESS



103. MODELE DU HARNAIS / HARNESS MODEL

- a) Modèle
Model NEW SPEC SALOON

Marque
Make

SABELT

Modèle
Model

NEW SPEC SALOON

Homologation N°

SH.001.16-T-6

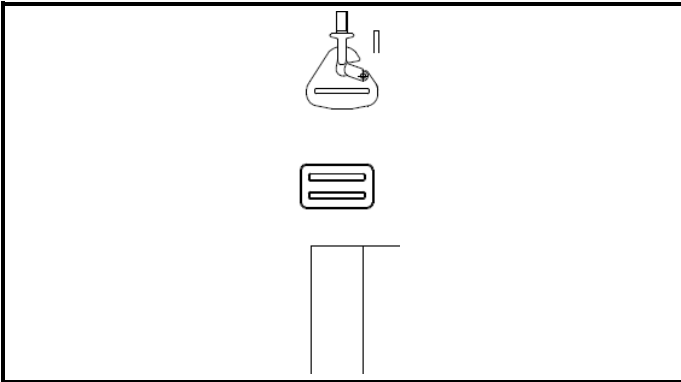
2. DETAILS DU HARNAIS / DETAILS OF HARNESS

201. SANGLES / STRAPS

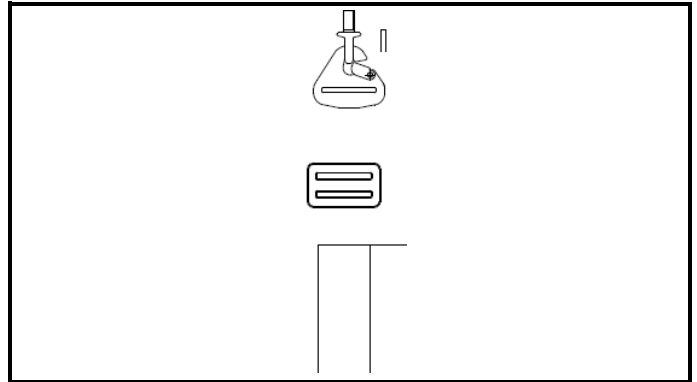
	Matériau Material	Largeur Width (mm)	Position Position
201.01 420002B	100% Polyester	50±1,5	Sangles d'épaules du haut du corps / Shoulder body top strap
201.02 420002B	100% Polyester	50±1,5	Sangles d'épaules inférieures / Shoulder bottom straps
201.03 CCNA2039	100% Polyester	50±1	Sangle pelvienne / Pelvic strap
201.04 420002B	100% Polyester	50±1,5	Sangle d'entrejambes / Crotch strap

202. VUES DES PIÈCES DE FIXATION/ ATTACHMENTS VIEWS

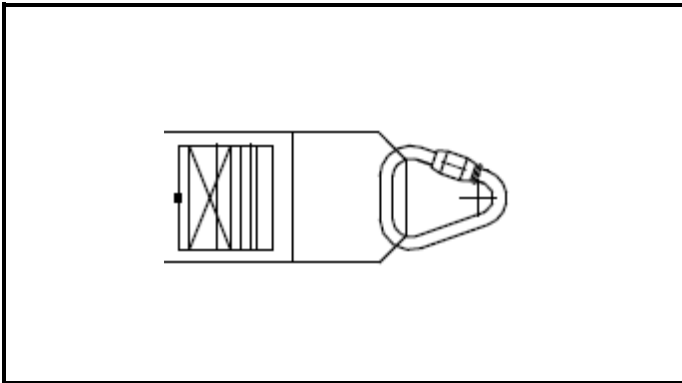
A1-1) Position / Position : left shoulder strap



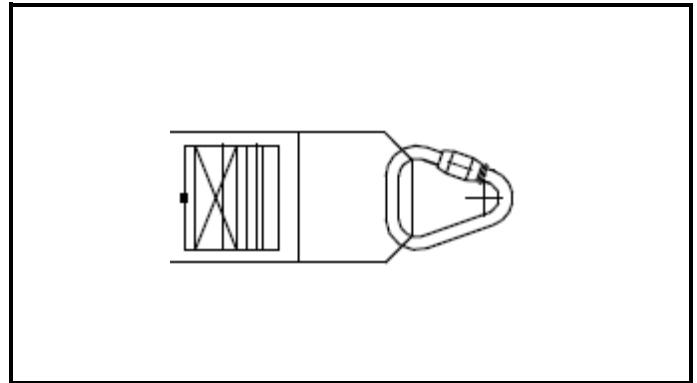
A1-2) Position / Position : right shoulder strap



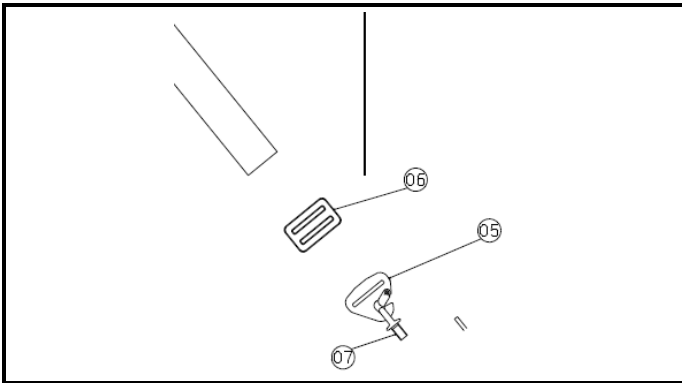
A1-3) Position / Position : left lap strap



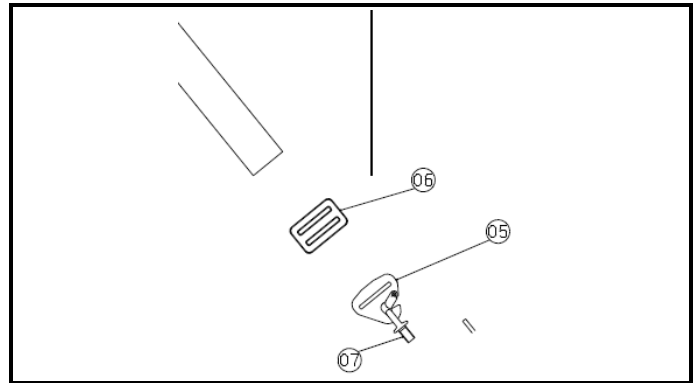
A1-4) Position / Position : right lap strap



A1-5) Position / Position : left crotch strap



A1-6) Position / Position : right crotch strap



Marque
Make

SABELT

Modèle
Model

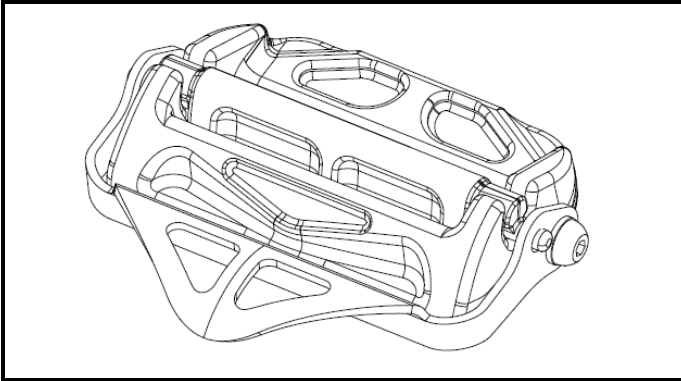
NEW SPEC SALOON

Homologation N°

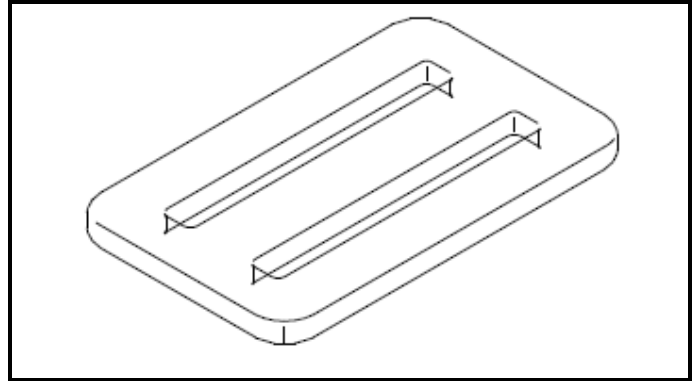
SH.001.16-T-6

203. VUES DES DISPOSITIFS DE REGLAGE/ ADJUSTING DEVICES VIEWS

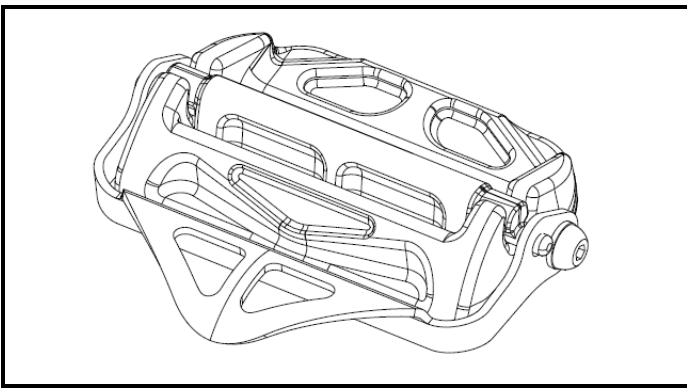
A2-1) Position / Position : **left and right shoulder body strap**



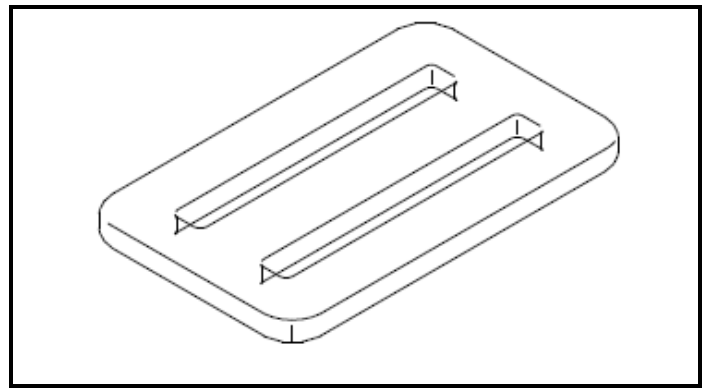
A2-2) Position / Position : **left and right Shoulder body top straps**



A2-3) Position / Position : **left and right lap strap**



A2-4) Position / Position : **left and right crotch strap**



204. BOUCLE / BUCKLE

204.1 Boucle à libération complète / Full release buckle Material

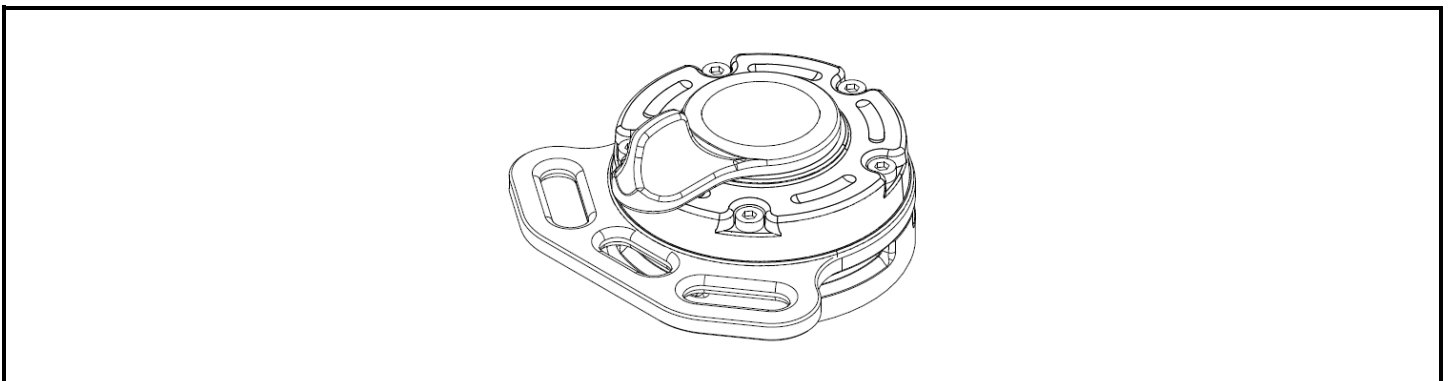
Oui / Yes



Non / No



A3-1) Vue de la boucle / Buckle view



Marque
Make

SABELT

Modèle
Model

NEW SPEC SALOON

Homologation N°

SH.001.16-T-6

3. ETIQUETTES D'HOMOLOGATION ET DE IDENTIFICATION / *HOMOLOGATION AND IDENTIFICATION LABELS*

301. ETIQUETTES / *LABELS*

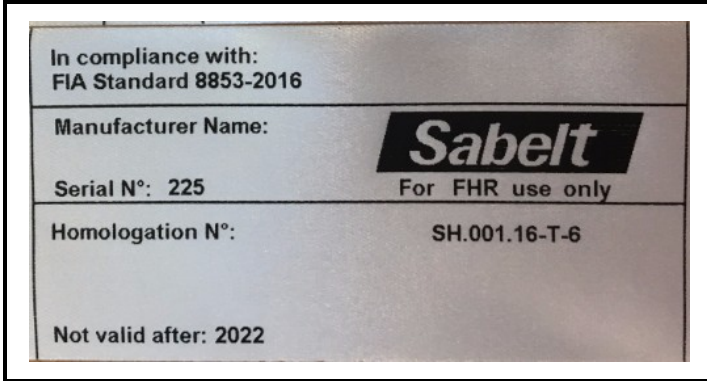
a) Dimensions [mm]
Dimensions [mm]

Etiquette d'homologation
Homologation label
44 x 84

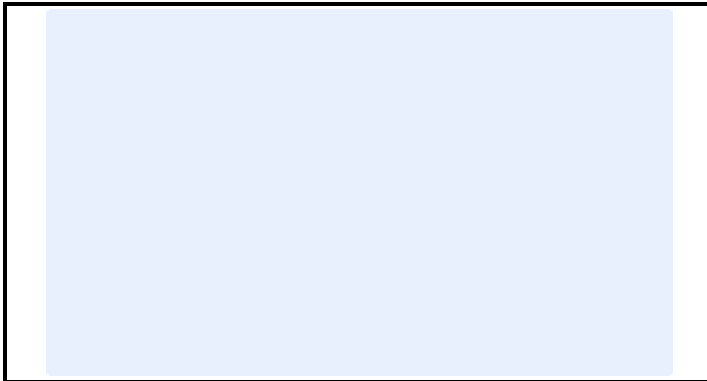
Etiquette d'identification
Identification label
44 x 40

B1-1) Etiquette d'homologation et autocollant FIA cousus sur le harnais
Homologation label and FIA sticker stitched on the harness

B1-2) Etiquette d'homologation cousus sur le harnais
Homologation label stitched on the harness



B1-3) Marquages pour boucle a libération complète
Full release buckle marking

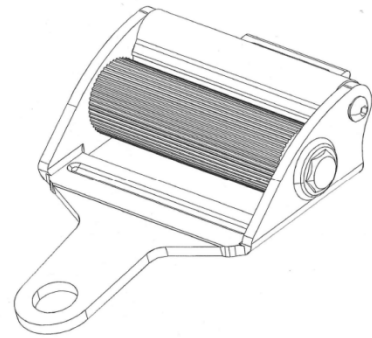


INFORMATIONS COMPLEMENTAIRES / COMPLEMENTARY INFORMATION

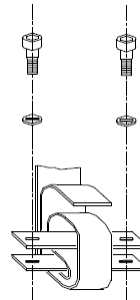
ALTERNATIVE ATTACHMENTS FOR SHOULDER, PELVIC AND CROTCH STRAPS (Stitched webbing loops)



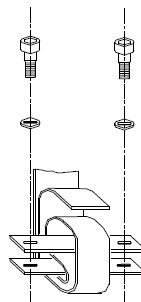
ALTERNATIVE BUCKLE TONGUE WITH INTEGRATED ADJUSTER – PELVIC STRAPS



ALTERNATIVE ATTACHMENT – PELVIC STRAPS



ALTERNATIVE ATTACHMENT – CROTCH STRAPS



Marque
Make

SABELT

Modèle
Model

NEW SPEC SALOON

Homologation N°

SH.001.16-T-6

ALTERNATIVE ATTACHMENT – PELVIC, SHOULDER and CROTCH STRAPS



ALTERNATIVE ATTACHMENT – SHOULDER and PELVIC STRAPS



ALTERNATIVE ATTACHMENT – PELVIC STRAPS



ALTERNATIVE ATTACHMENT – SHOULDER and CROTCH STRAPS



ALTERNATIVE ATTACHMENT – SHOULDER and CROTCH STRAPS



Marque
Make

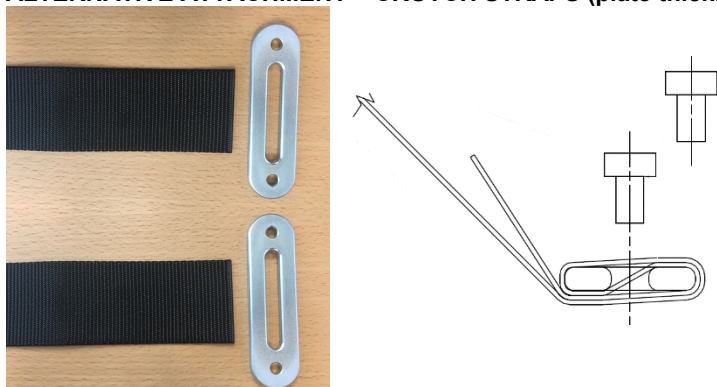
SABELT

Modèle
Model

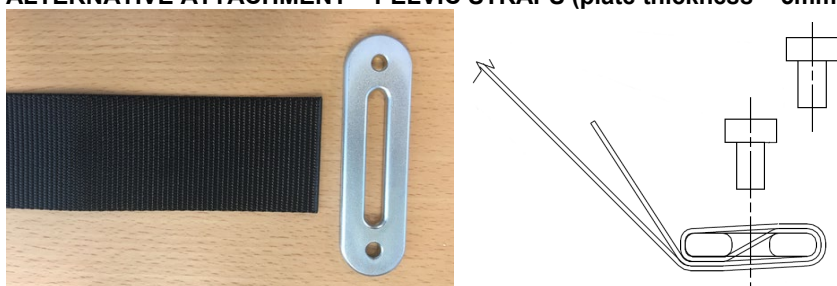
NEW SPEC SALOON

SH.001.16-T-6

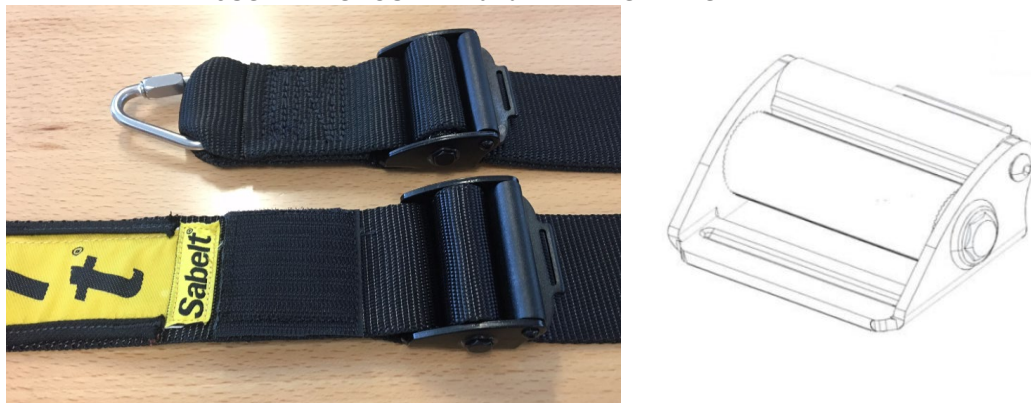
ALTERNATIVE ATTACHMENT – CROTCH STRAPS (plate thickness = 5mm)



ALTERNATIVE ATTACHMENT – PELVIC STRAPS (plate thickness = 5mm)



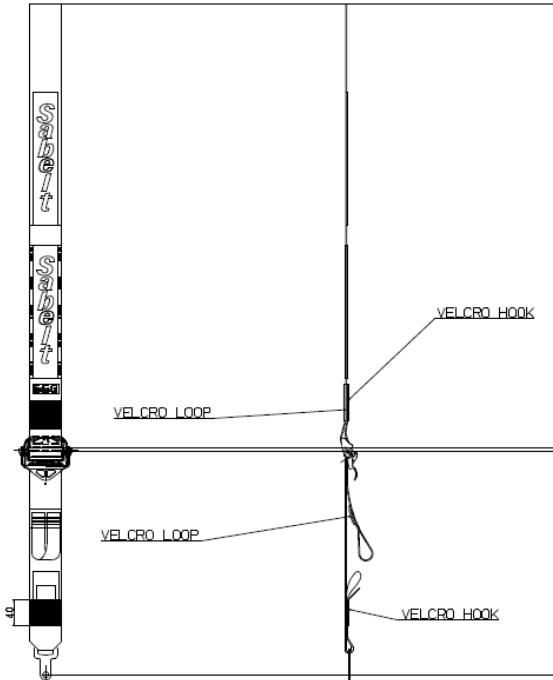
ALTERNATIVE ADJUSTER – SHOULDER and PELVIC STRAPS



ALTERNATIVE BUCKLE



VELCRO ON SHOULDER BELT (4 locations)



ALTERNATIVE ATTACHMENT – SHOULDER AND CROTCH STRAPS



ALTERNATIVE ATTACHMENT – SHOULDER AND CROTCH STRAPS



Marque
Make

SABELT

Modèle
Model

NEW SPEC SALOON

Homologation N°

SH.001.16-T-6

ALTERNATIVE ATTACHMENT – PELVIC STRAPS



ALTERNATIVE ADJUSTER – SHOULDER and PELVIC STRAPS



SHOULDER STRAP – RETENTION CABLE LOOPS (position and number of loops can vary)



ALTERNATIVE ATTACHMENT – CROTCH STRAPS

