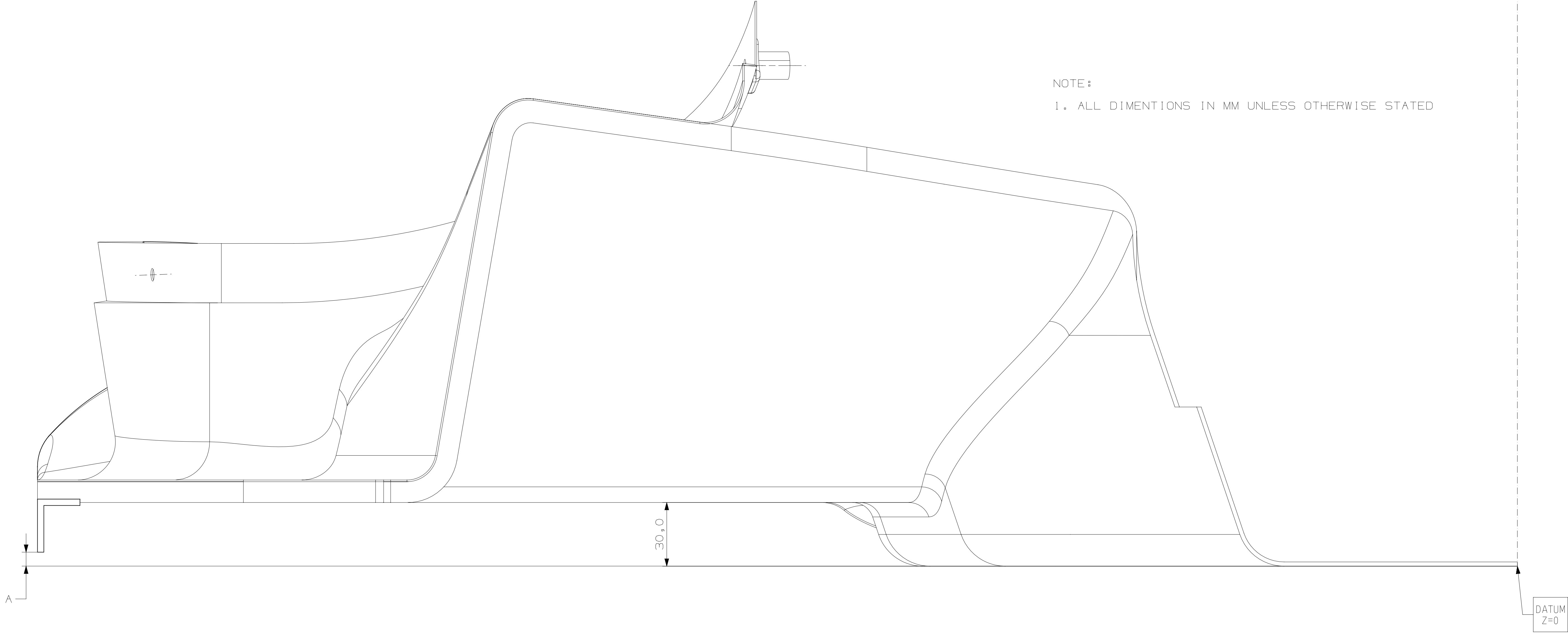


APPENDIX 4

SYMMETRICAL ABOUT
THIS CENTRE LINE



NOTE:
1. ALL DIMENTIONS IN MM UNLESS OTHERWISE STATED

HEIGHT OF SKIRT AND UNDERFLOOR RELATIVE TO DATUM