



# FEDERATION INTERNATIONALE DE L'AUTOMOBILE

Homologation N°

**PH.127.24-C**

## FICHE DE PRESENTATION DES CASQUES PREMIUM (NORME FIA 8859-2015) PRESENTATION FORM FOR PREMIUM HELMETS (FIA STANDARD 8859-2015)

### 1. GENERALITES / GENERAL

#### 101. CONSTRUCTEUR / MANUFACTURER

**STILO S.R.L.**

- a) Adresse / Address: **VIALE MAJNO 45, 20122 MILANO**
- b) Téléphone / Phone: **+39 035 690 040**
- c) E-mail / E-mail: **INFO@STILO.IT**

#### 102. DATE DE LA FICHE DE PRESENTATION / PRESENTATION FORM DATE

Date / Date: **10.06.2026**

#### 103. PHOTO DU CASQUE / PICTURE OF THE HELMET



#### 104. MODELE ET VERSIONS / MODEL AND VERSIONS

- a) Modèle / Model: **WRX VENTI CARBON / WRX VENTI CARBON N**
- b) Type de casque / Type of helmet: **Intégral / Full-face**
- c) Versions disponibles / Available versions: **HELMET WITH OR WITHOUT INTEGRATED PLUGS, WITH OR WITHOUT VISOR**

Nom / Name: **WRX VENTI CARBON / CARBON N**

Nom / Name: -

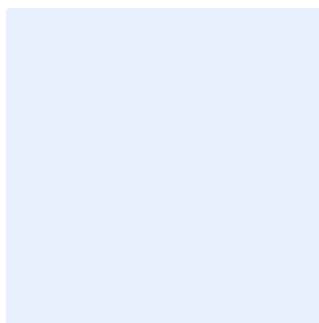
Description / Description: **WITH OR WITHOUT INTEGRATED PLUGS AND/OR VISOR**

Description / Description: -

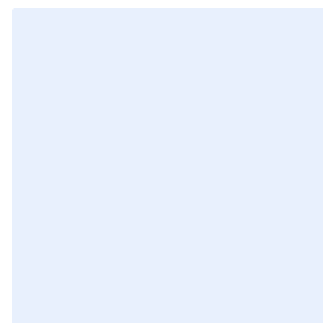
**A1)**



**B1)**



**C1)**



Marque  
Make **STILO**

Modèle  
Model **WRX VENTI CARBON**

Homologation N°

**PH.127.24-C**

## 105. TAILLES DISPONIBLES / SIZES AVAILABLE

Tailles / Sizes

XS54, S55, S56, M57, M58, L59, L60, XL61, XXL62, XXL63, XXL64

## 2. DETAILS DU CASQUE / DETAILS OF THE HELMET

### 201. VUES / VIEWS

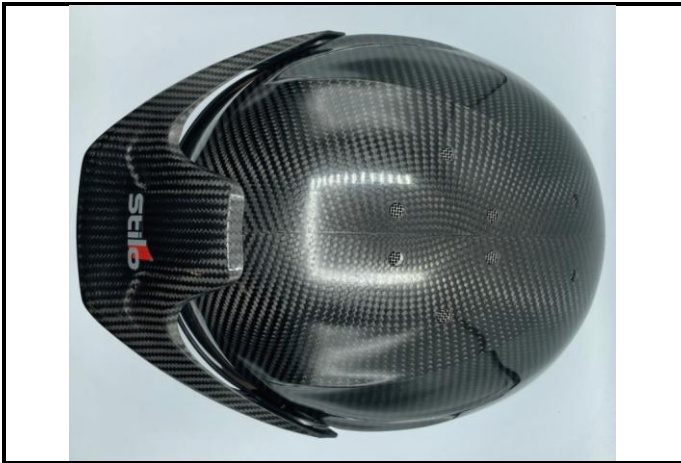
D1) Vue de face / Front view



D2) Vue du Côté Droite / Right Side view



D3) Vue de haut / Top view



### 202. NOMBRE ET POSITION DES TROUS DE VENTILATION / NUMBER AND POSITION OF VENTILATION HOLES

Menton Chin	Top Top	Trous pour boire Drinking hole
Nombre de trous Number of holes	8 max	Oui/Yes
	Inclus Included	

**3. ACCESSOIRES DISPONIBLES / AVAILABEL ACCESSORIES**

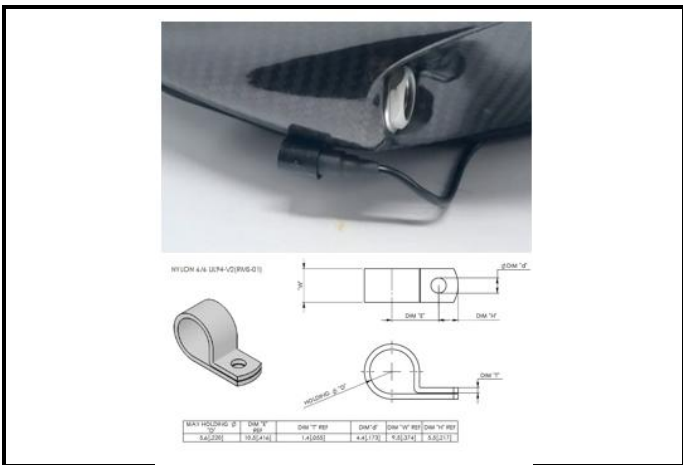
E1) EAR CUPS STILO (WITH OR WITHOUT SPEAKER)



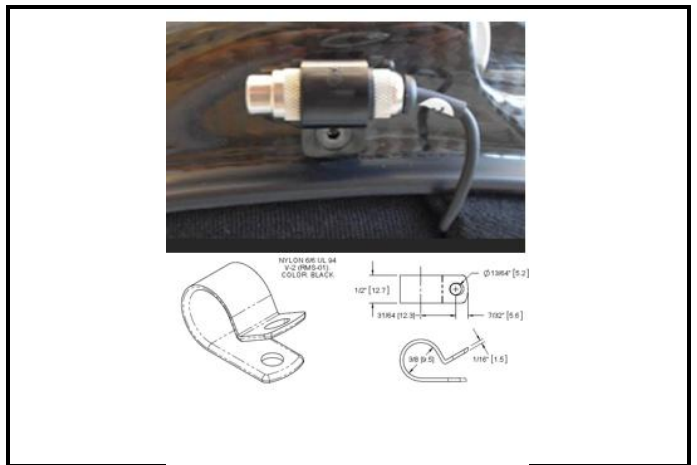
E2) EAR PADS



E3) CLIPS SIDE PORT CONNECTOR



E4) CLIPS SIDE PORT CONNECTOR



E5) CHIN DRINK SYSTEM



E6) SIDE PORT DRINK SYSTEM



Marque  
Make **STILO**

Modèle  
Model

**WRX VENTI CARBON**

Homologation N°

**PH.127.24-C**

E7) INTEGRATED COMM



E8) SIDE PORT VENTILATION SYSTEM



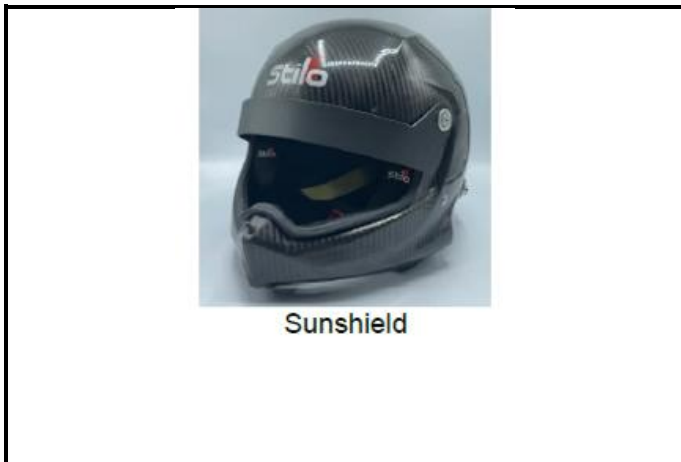
E9) SHORT PEAK



E10) LONG PEAK



E11) SUNSHIELD



E12) Visor Sunshield (short) closed cockpit car



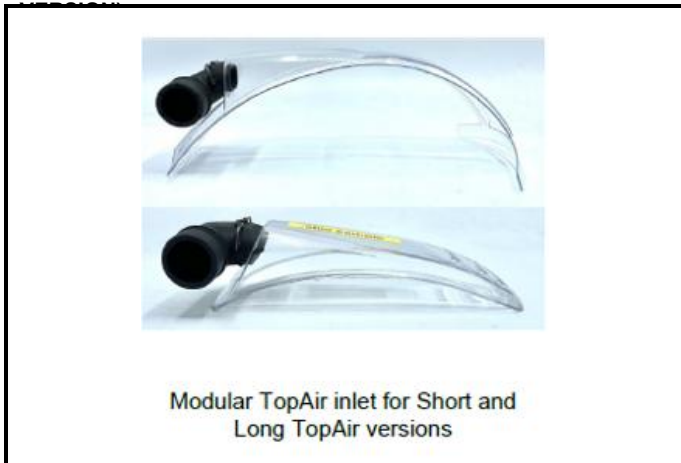
E13) SHORT TOP-AIR



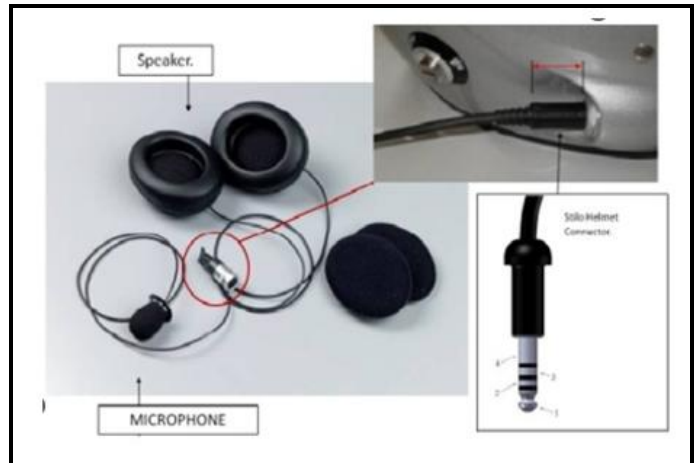
E14) LONG TOP-AIR (FIXED OR ADJUSTABLE)



E15) MODULAR TOP-AIR INLET (FOR LONG AND SHORT



E16) RADIO/INTERCOM CONNECTION KIT



E17) WL-KEY



E18) HELMET SKIRT



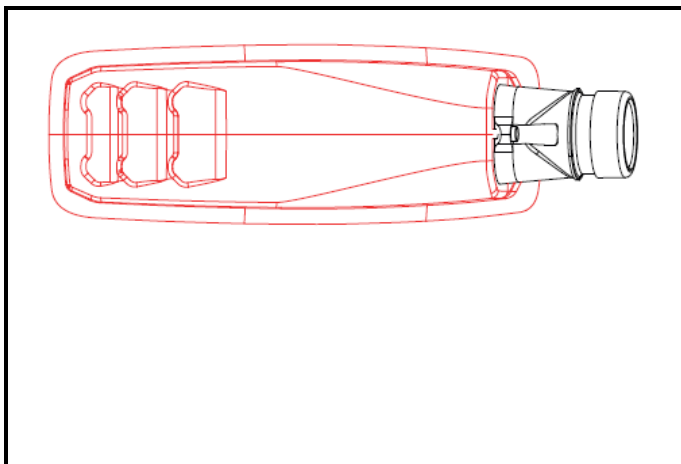
E19) CHIN FLAP



E20) Magnetic top-air connector for short air-cap



E21) modular top-air connector 0° with improved assembly system for short air-cap



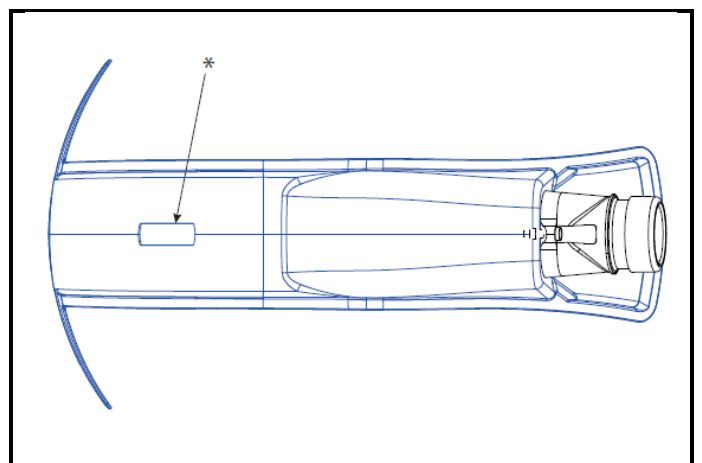
E22) modular top-air connectors 90° with improved assembly system for short air-cap



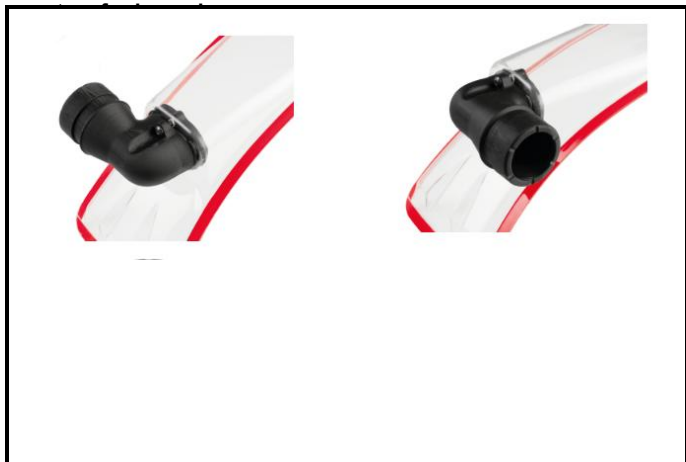
E23) magnetic top-air connector for long air-cap



E24) modular top-air connector 0° with improved assembly system for long air-cap



E25) modular top-air connector 90° with improved assembly



E26) Magnetic Dring Connector



Marque  
Make **STILO**

Modèle  
Model **WRX VENTI CARBON**

Homologation N°

**PH.127.24-C**

**INFORMATIONS COMPLEMENTAIRES / COMPLEMENTARY INFORMATION**

8 optional top ventilation holes

